

Ra

Book 2022

because lighting matters

Ralum



Let there be **LIGHT**

Light is essential towards the perception of space. Beyond its central visual function, light also acts as the key trigger for the daily synchronization of our human biological clock. Light plays a vital role in influencing human health, well-being and productivity.

Lighting, therefore, must take a central place in the design of our spaces of work and living.



WHO WE ARE

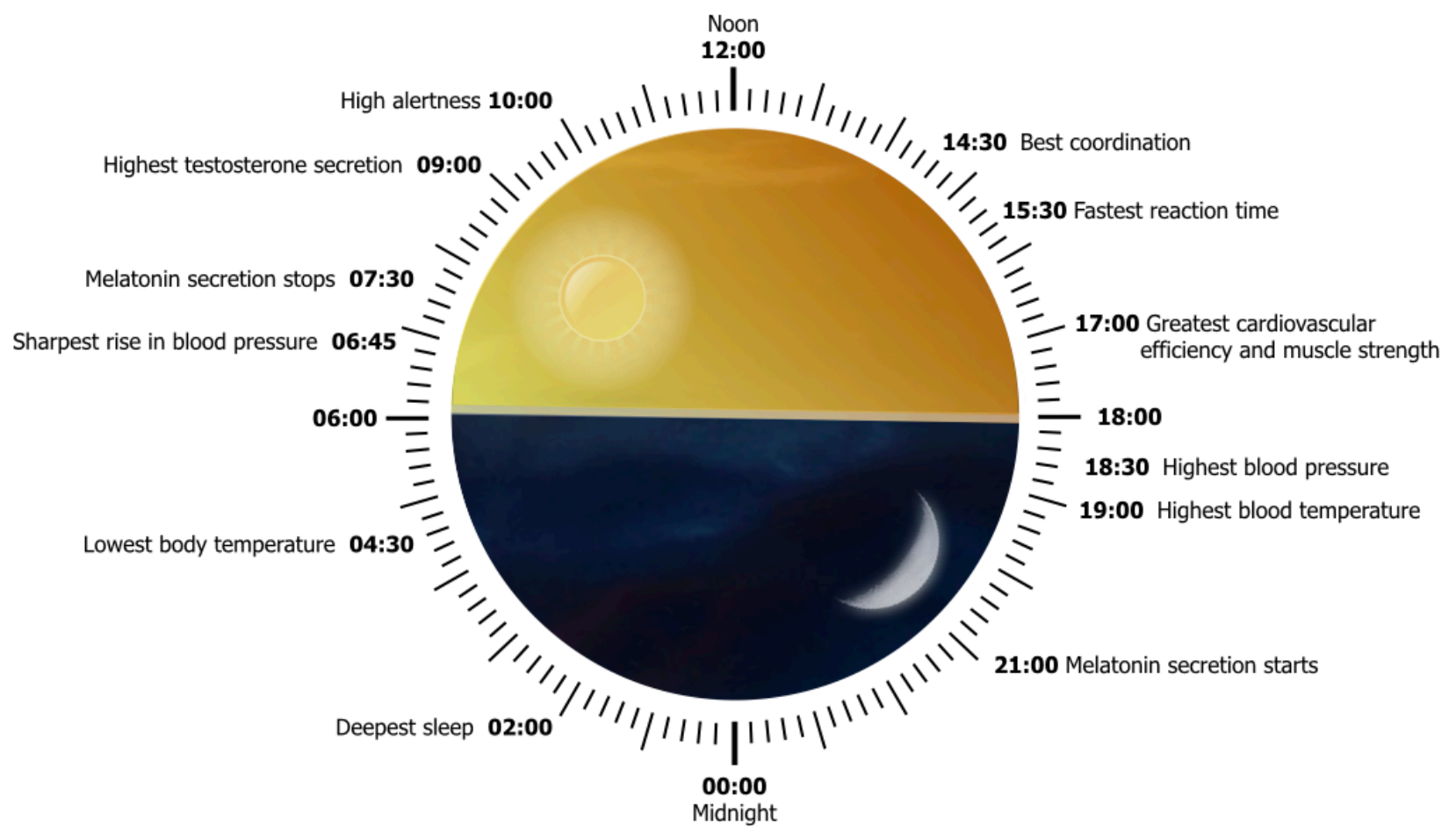
Over a decade ago, the idea of Ralum was born : „ **Bringing good lighting to the people** “ became our mission and motivation ever since. The Ralum brand was conceived by our German founder, Raimar Geffken, taking reference to **Ra** - the ancient Egyptian deity of the sun - and **lu-men**, the latin word for light. In the course of time the short **Ra** by Ralum established as the simplified modern brand version.

First incorporated in 2008 Ralum has been attending customers in many countries. Reaching beyond lighting, Ralum today positions itself as a solution provider for „Spaces of Wellbeing“, extending into acoustics and interiors. **Ralum Lighting** , however, remains at the core of our business. Our German roots determine our high standards of performance and quality. We are dedicated to raise people's awareness about the impact and the importance of light in our lives. Ralum understands the science of light and its relation to human biology and psychology.

Our dedication for innovation, hard work and creativity earned us the 2017 **Red Herring Top 100 Asia Award**.

As our mission statement starts with the word „ bringing “, we mastered the specific challenges of our markets to deliver our solutions on time, in shape and as required. Flexibility to special requests, custom developments and production are part of our dedication to „ go the extra mile “. We take pride in having developed a solid portfolio of high performance luminaires that reliably back our mission. This **RaBook** curates a selection of our product portfolio and is intended as a source of reference and inspiration for our valued part-

THE PATH OF DAYLIGHT AND THE CIRCADIAN RYTHM



The human body synchronizes its biological clock through light. The underlying parameters are tuned to the natural daylight cycle that is constantly changing in spectrum and intensity from the very first light rays before sunrise until after sunset. Professional photographers have been vividly describing this natural drama as Golden Hour, Blue Hour, Twilight, Daytime and Nighttime.

BIOCENTRIC LIGHTING

Biology - Emotion - Vision ↔ Health - Happiness - Performance

The term circadian rhythm describes any biological process that displays an endogenous (internal), entrainable oscillation of about 24 hours - most significantly for us being the human sleep-wake cycle. Most physiological processes in humans are influenced by a complex circadian timing system in which the master timer in the brain synchronizes numerous subsidiary oscillators in peripheral cells. The master clock, located in the suprachiasmatic nucleus (SCN), must be readjusted every day to stay tuned to the actual geophysical time. This is done most powerful by light, although - to a limited extend - nonphotic time cues have been shown to phase-shift the circadian clock too.

Morning daylight invigorates the mind and promotes activity through the stimulation of serotonin production and the suppression of melatonin. Light spectrum, intensity and exposure to the eye all factor in. At the later hours of the day, low light levels and warm („yellowish“) light colors are desirable to stop suppression of melatonin that will be crucial for sleep. During the night, darkness guards to sustain melatonin levels.

When humans are exposed to the patterns of natural daylight, a well synchronized circadian cycle will result and promote health and well-being.

Modern life has generated many ways to disrupt naturally evolved rhythms. Most people live, work, and play under uniform and consistent artificial light that deviates significantly from the natural patterns. Vastly extended exposure to computer and tablet screens at the late hours foster unwanted suppression of melatonin. Inferior lighting components, developed solely for the sake of cost savings, provide light with a poor spectral composition and often a high content of flicker (whether directly perceivable to the eye or hidden).

Flicker is stressful to the human eye and body and can even trigger epileptic seizures in people with a predisposition. Negative health and emotional effects ranging from depression to sleep disorders and severe conditions such as diabetes can result of the improper `light diet´ that became almost the standard of our modern-day city life.

Research has shown that regular exposure to adequate light, in particular natural light, not only stabilizes physiological functions but also has a positive effect on emotions. People are happier and have a more positive mood. Many characteristics of light and lighting schemes also reliably correspond to certain emotions (just think of candle light). Good lighting will surely set for a positive mood.

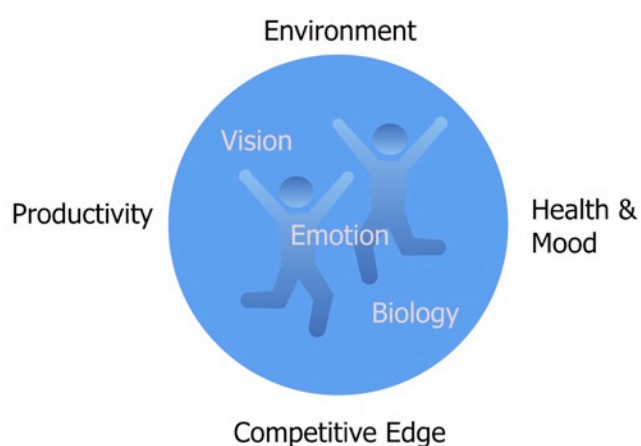
Light allows us to see and recognize things, this is light's very essential visual function. When performing a visual task under inadequate light, strain on the eyes will result, which may contribute to a faster deterioration of eye sight, require more cognitive effort and negatively affect productivity. Studies have shown a strong correlation between lighting to speed and accuracy in performing tasks. An advanced lighting scheme - tailored to the application - will support performing visual tasks through adaptable lighting levels, lowest glare, balanced spatial distribution, suitable light colors and rendition. Realized by high-performance components these solutions will deliver lasting benefits.

Biocentric Lighting,

by taking a wholistic approach, addressing the core categories in which light has an impact on human lives, **i.e. Biology - Emotion - Vision,** is dedicated to support **Health, Happiness and Performance.**

Ralum Lighting Solutions

We believe in a wholistic, biocentric, approach to lighting. For commercial lighting projects, a complex matrix determined by the visual and non-visual functions of light and the impact areas of Environment, Productivity, Health & Mood and Competitive Edge will determine the concept and subsequently be translated into a matching solution. Light planning and space planning should always be seen as an intertwined process, reaching the optimum solution through iterated steps.



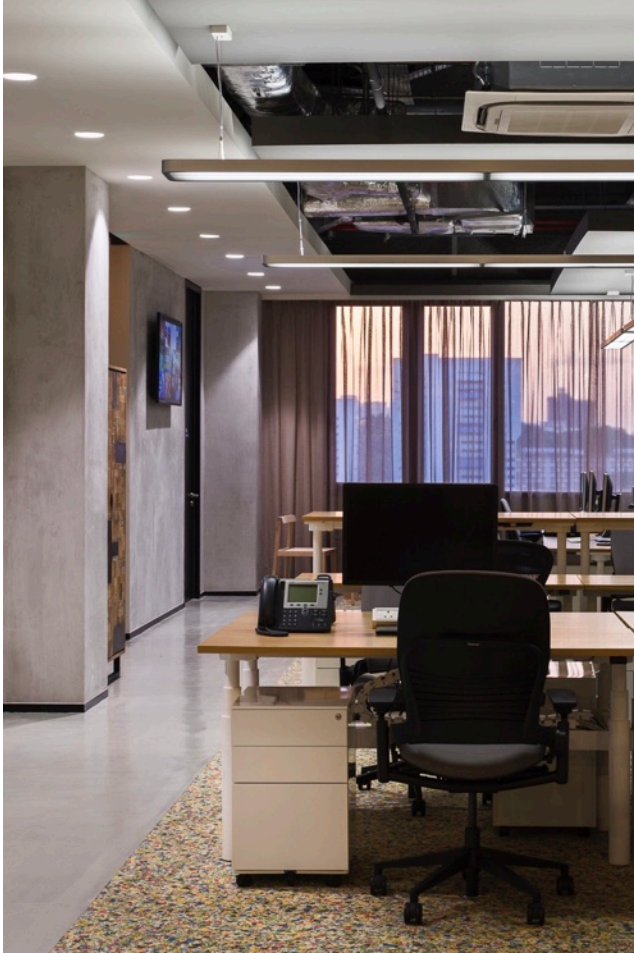
The picture shows Garuda Indonesia's gorgeous First Class Lounge at CGK-T2. These stunning interiors were designed by Q SPACE (PT. Prapanca Muchtar Design), a leading Indonesian interior design firm, creating a space of luxury to provide Garuda Indonesia's discerning first class passengers a truly personal touch and experience, different from the ordinary.

Ralum takes pride to have been trusted with developing and providing the lighting solution for this unique project. The smooth and relaxing atmosphere this space radiates is a prime example of a well integrated approach of space and lighting design. For example, the innovative ceiling design with its integrated stretched-ceiling-cove (illuminated with Ralum extreme-life luminaires) made for a dramatically improved visual appearance and light distribution compared to a standard cove design - details matter.



Garuda Indonesia's First Class Lounge
Interior Design: Q SPACE, Prapanca Muchtar.
Lighting: Ralum Indonesia





Office

Boost staff productivity and wellbeing

Visual, biological and emotional effects of light have to be well considered for staff productivity, creativity and wellbeing. Individual needs also have to be factored in: For example, older staff requires 30% – 50% more light in order to maintain their ability to perform regular visual tasks.

Well designed office spaces with adaptable lighting solutions have improved staff productivity significantly due to faster task performance, fewer errors, reduced absenteeism and increased safety. The initial investment is typically recouped within a short period of time, in particular in offices employing scarce and expensive talent. Lighting also plays a vital role in creating a corporate space that radiates a positive corporate culture.



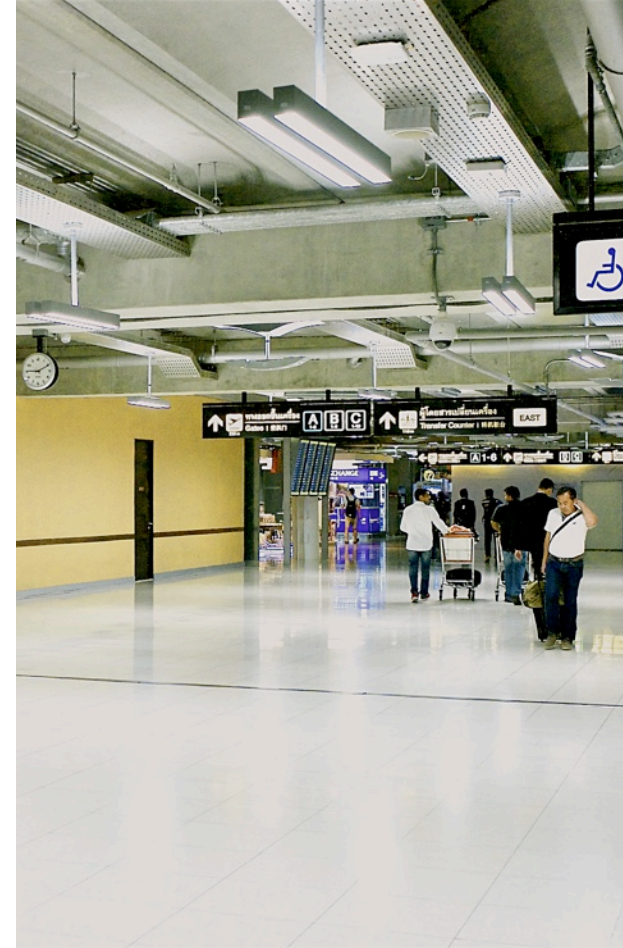
Retail (Fashion)

Your merchandise under the best light

Lighting directly affects our mood: Up to 80% of the sensory information that our brain receives comes from our eyes. Lighting can highlight architectural elements, product qualities and create virtual spaces, which impacts what we think, how we feel, and ultimately whether we purchase a product - or not.

A deep understanding of the target audience, matched with a tailored lighting concept, can increase in-store sales and will help to convey a consistent brand image.

Given the high operational cost of prime retail space, consumer behavior research findings and the ever growing need for differentiation, good lighting is just not an option to skip but rather a key supporting factor towards achieving ambitious quadruple bottom line goals in our dynamic world.



Transport & Public Infrastructure

Aesthetic and effective solutions

Lighting can make the difference between effective infrastructure and missing the mark. Good lighting provides for a safe and comfortable environment while being economically effective through easy maintenance and optimized total cost of ownership. Adaptive lighting schemes allow brightness and light colors to adjust to the user's needs by automated or smart controls.

Beside a strong functional performance, lighting also should be visually captivating. This is essentially important for major airport hubs that are often the first-impression point for travelers. A chance for a country or city to show its best side to the world, not to be missed.



Residential & Leisure

Creating an oasis of comfort and wellbeing

People spend their most valued time at home and leisure places. A harmonious illumination strategy at home that safeguards the circadian cycle will provide comfort and guard for a good sleep that benefits body and mind (overnight memory consolidation and body repair functions require a synchronized circadian rhythm).

Dynamic lighting schemes allow for color temperature or illumination levels to be adjusted throughout the day – either automatically or manually - generating a cozy or activating atmosphere at the right time.

A tailored lighting solution will also enhance the space design and will involve aesthetically appealing fixtures that blend smoothly with the overall design or stand out to impress.

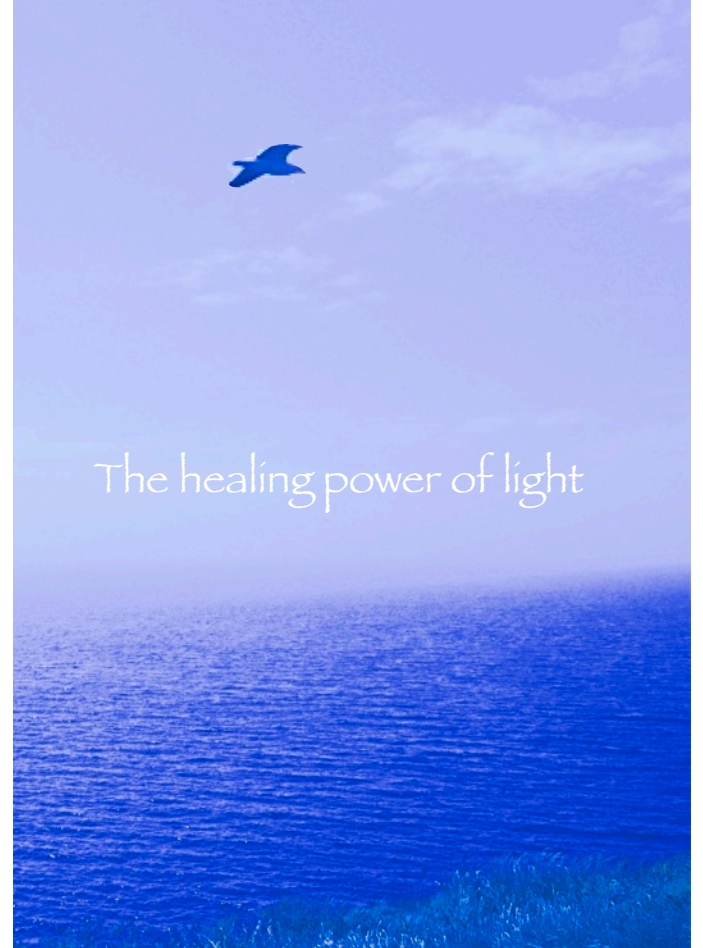


Hospitality & Restaurants

The home away from home

Hotel and restaurant operators strive to differentiate themselves from their competitors through advanced interiors. Light is one of the most effective ways to be unique and recognizable, and yet a vastly underutilized tool in this industry. A regular complaint by hotel visitors is about lighting, mostly caused by failed products, lack of sufficient illumination or glare in guest rooms and the absence of easy-to-handle controls.

At restaurants and lounges good lighting will create the relaxing, comfortable atmosphere that will make guests feel at home. Advanced hotel guest rooms, featuring a biocentric lighting approach can also help synchronizing the traveller's circadian cycle, easing jet-lag. Smart control options offering pre-set mood scenarios are desirable for 5 star and luxury premises, enabling them to stay ahead of the run-of-the-mill competition.



Aged Care Centers & Medical Facilities

Decelerated aging. Accelerated recovery.

Due to age related vision loss, older people require 30%–50% more light to perform regular visual tasks. A viable compensation tool for poor visual and perceptual ability is a dynamic, biocentric lighting scheme. This also helps to prevent accidents, reduces anxiety and fosters orientation. Quite simply, biocentric lighting enables the elderly to stay active and safe.

Biocentric lighting has shown to improve conditions associated with dementia and provides the opportunity to reduce or even skip sleep medication. This will furthermore ease the strain on the night shift personnel caused by sleepless patients, which also benefits the facility operator through operational cost savings.

In hospitals, the patient's recovery will be significantly supported and accelerated through a biocentric „light diet“ that guards the daily synchronization of the patient's circadian rhythm. So far, this potential has been left vastly untapped. This offers a great opportunity for differentiation to all healthcare providers committed to a wholistic care and treatment approach.

LINEAR LIGHTS



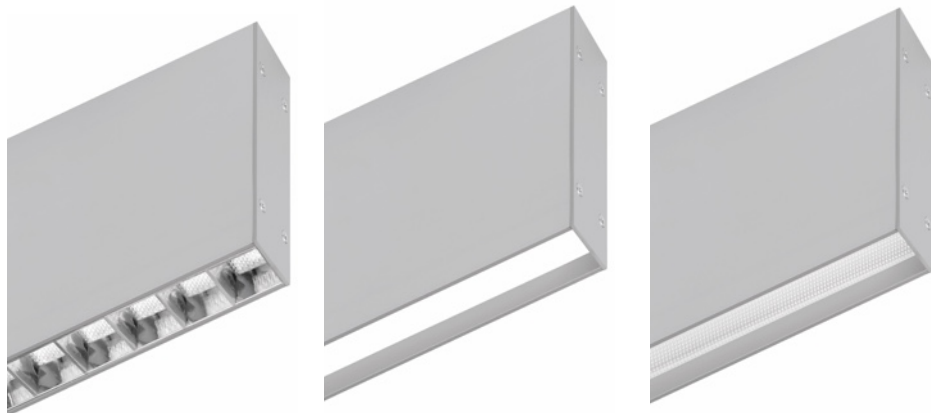
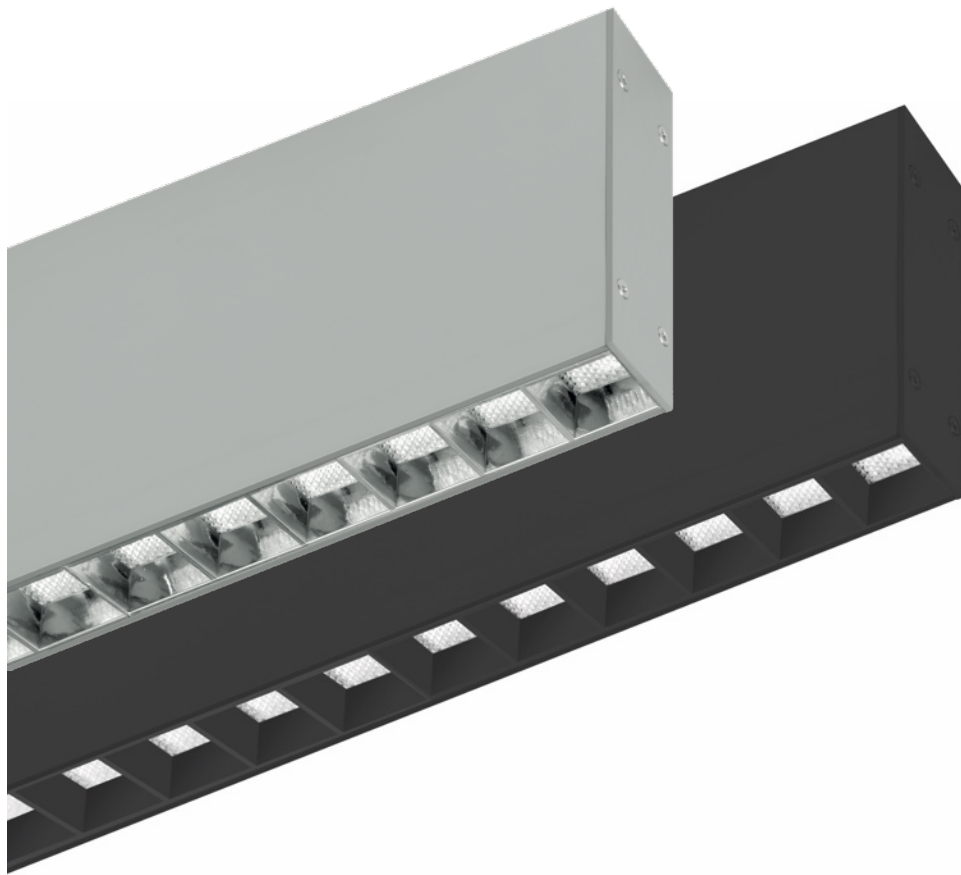
For more information :
info@ralum.biz | www.ralum.lighting

Ralum 
BECAUSE LIGHTING MATTERS



STRATO LED

Our suspended slim LED lighting system designed for inline installation. Strato LED is an elegant and efficient luminaire for lighting offices, conference rooms, receptions and other working spaces, it is slim yet powerful.



Diffusers

Diffusers available in three options

- Micro-Prismatic diffuser (MPRM)
- OPAL diffuser
- Parabolical louver PAR

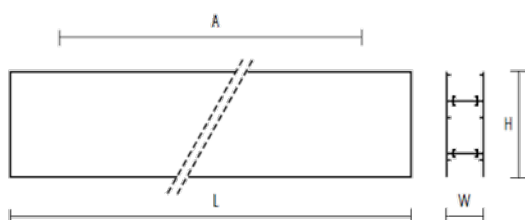
Length

Available in 4 lengths

L 545, 1085, 1625, 2170mm

W 28mm

H 100mm



STRATO LED

Power supply : 220 V - 240 V

Life (B10, L80) : > 60,000h

Color Rendering Index : RA > 90

Dimming : DALI (optional)

Materials : Aluminum in powder coated finish, custom RAL on request.

Direct and Direct-Indirect light distribution

Option of Linear Light with Direct and Direct-Indirect light distribution.

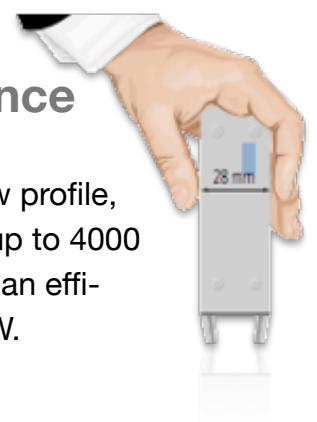
Upper diffuser clip-in OPAL inline with profile edge.



Slim Design

Big Performance

Inside this very narrow profile, Strato LED provides up to 4000 lumen per meter with an efficacy of up to 120lm/W.

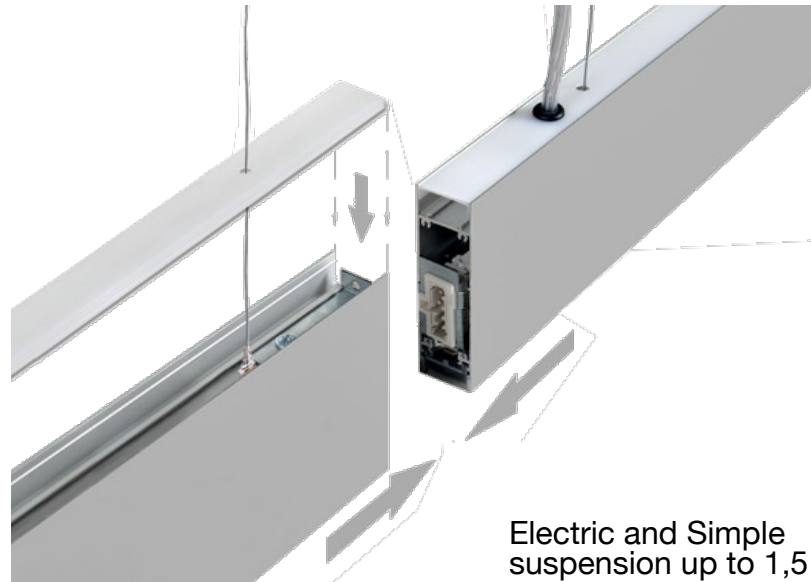


Light Lines

Option of configuration into light lines of various lengths.

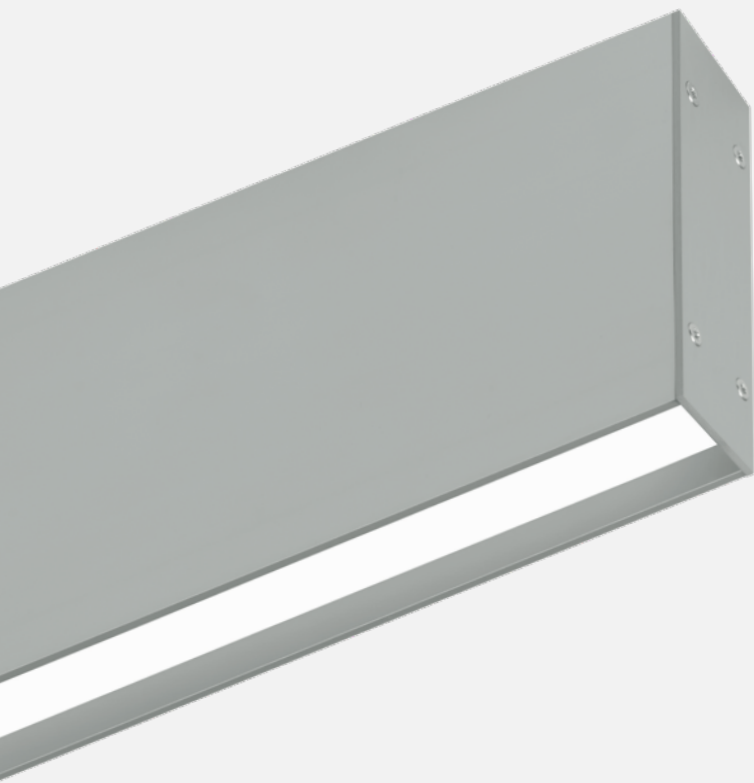
With its modular design, Strato LED can be used as an individual fixture or as a combination of modules put together in continuous lines with simple electrical suspension.

The quick-release 5-pole connection block allows to join the luminaires in line by sections.



Electric and Simple suspension up to 1,5 m





STRATO LED DI

Linear light with direct light distribution.

STRATO LED DI OPAL

LENGTH [mm]	POWER	LAMP	LUMINAIRE'S LUMINOUS FLUX	LUMINAIRE'S EFFICACY	[kg]	INFO	CODE
545	14 W	LED 3000 K	1320 lm	94 lm /W	1,3	OPAL	RX 86011
545	14 W	LED 4000 K	1340 lm	96 lm /W	1,3	OPAL	RX 86018
1085	25 W	LED 3000 K	2630 lm	105 lm /W	2,3	OPAL	RX 86025
1085	25 W	LED 4000 K	2690 lm	108 lm /W	2,3	OPAL	RX 86032
1625	37 W	LED 3000 K	3950 lm	107 lm /W	3,2	OPAL	RX 86039
1625	37 W	LED 4000 K	4030 lm	109 lm /W	3,2	OPAL	RX 86046
2170	48 W	LED 3000 K	5260 lm	110 lm /W	4,5	OPAL	RX 86053
2170	48 W	LED 4000 K	5370 lm	112 lm /W	4,5	OPAL	RX 86046

STRATO LED DI MPRM

LENGTH [mm]	POWER	LAMP	LUMINAIRE'S LUMINOUS FLUX	LUMINAIRE'S EFFICACY	[kg]	INFO	CODE
545	14 W	LED 3000 K	1410 lm	101 lm /W	1,3	MPRM	RX 86067
545	14 W	LED 4000 K	1440 lm	103 lm /W	1,3	MPRM	RX 86074
1085	25 W	LED 3000 K	2820 lm	113 lm /W	2,3	MPRM	RX 86081
1085	25 W	LED 4000 K	2880 lm	115 lm /W	2,3	MPRM	RX 86088
1625	37 W	LED 3000 K	4230 lm	114 lm /W	3,3	MPRM	RX 86095
1625	37 W	LED 4000 K	4310 lm	116 lm /W	3,3	MPRM	RX 86102
2170	48 W	LED 3000 K	5640 lm	118 lm /W	4,4	MPRM	RX 86109
2170	48 W	LED 4000 K	5750 lm	120 lm /W	4,4	MPRM	RX 86116

STRATO LED DI PAR

LENGTH [mm]	POWER	LAMP	LUMINAIRE'S LUMINOUS FLUX	LUMINAIRE'S EFFICACY	[kg]	INFO	CODE
545	12 W	LED 3000 K	1050 lm	88 lm /W	1,3	PAR	RX 86301
545	12 W	LED 4000 K	1080 lm	90 lm /W	1,3	PAR	RX 86038
1085	21 W	LED 3000 K	2110 lm	100 lm /W	2,4	PAR	RX 86315
1085	21 W	LED 4000 K	2150 lm	102 lm /W	2,4	PAR	RX 86322
1625	30 W	LED 3000 K	3160 lm	105 lm /W	3,4	PAR	RX 86329
1625	30 W	LED 4000 K	3230 lm	108 lm /W	3,4	PAR	RX 86336
2170	40 W	LED 3000 K	4210 lm	105 lm /W	4,5	PAR	RX 86343
2170	40 W	LED 4000 K	4300 lm	108 lm /W	4,5	PAR	RX 86350



STRATO LED DI-IN

Linear light with direct and indirect light distribution.

STRATO LED DI-IN OPAL

LENGTH [mm]	POWER	LAMP	LUMINAIRE'S LUMINOUS FLUX	LUMINAIRE'S EFFICACY	[kg]	INFO	CODE
1085	37 W	LED 3000 K	3900 lm	105 lm /W	2,4	OPAL	RX 86123
1085	37 W	LED 4000 K	3990 lm	108 lm /W	2,4	OPAL	RX 86130
1625	59 W	LED 3000 K	6490 lm	110 lm /W	3,4	OPAL	RX 86137
1625	59 W	LED 4000 K	6630 lm	112 lm /W	3,4	OPAL	RX 86144
2170	79 W	LED 3000 K	9080 lm	115 lm /W	4,5	OPAL	RX 86151
2170	79 W	LED 4000 K	9270 lm	117 lm /W	4,5	OPAL	RX 86158

STRATO LED DI-IN MPRM

LENGTH [mm]	POWER	LAMP	LUMINAIRE'S LUMINOUS FLUX	LUMINAIRE'S EFFICACY	[kg]	INFO	CODE
1085	37 W	LED 3000 K	4090 lm	111 lm /W	2,4	MPRM	RX 86165
1085	37 W	LED 4000 K	4180 lm	113 lm /W	2,4	MPRM	RX 86172
1625	59 W	LED 3000 K	6780 lm	115 lm /W	3,4	MPRM	RX 86179
1625	59 W	LED 4000 K	6910 lm	117 lm /W	3,4	MPRM	RX 86186
2170	79 W	LED 3000 K	9460 lm	120 lm /W	4,5	MPRM	RX 86193
2170	79 W	LED 4000 K	9650 lm	122 lm /W	4,5	MPRM	RX 86200

STRATO LED DI-IN PAR

LENGTH [mm]	POWER	LAMP	LUMINAIRE'S LUMINOUS FLUX	LUMINAIRE'S EFFICACY	[kg]	INFO	CODE
1085	33 W	LED 3000 K	3380 lm	102 lm /W	2,4	PAR	RX 86357
1085	33 W	LED 4000 K	3450 lm	105 lm /W	2,4	PAR	RX 86364
1625	53 W	LED 3000 K	5710 lm	108 lm /W	3,4	PAR	RX 86371
1625	53 W	LED 4000 K	5830 lm	110 lm /W	3,4	PAR	RX 86378
2170	73 W	LED 3000 K	8030 lm	110 lm /W	4,5	PAR	RX 86385
2170	73 W	LED 4000 K	8200 lm	112 lm /W	4,5	PAR	RX 86392



O-2 LED

O-2 LED luminaire represents a SMART solution for a variety of applications that demand high visual comfort and is suitable for **biocentric** lighting with a strong positive effect on human biorhythm and health as well as effectiveness and concentration at work. An elegant solution for offices, shops, retail areas, corridors, airports and many other applications.



O-2 LED

Power supply : 220 V - 240 V

Life (B20, L80) : 100.000h

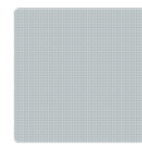
Color Rendering Index: Ra > 80 or Ra > 90
or sunlike spectrum with TM30-15=Rf96 ; CRI=97

Color Consistency: MacAdam step < 3

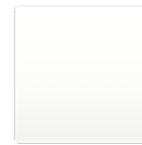
Luminaire's Efficacy: up to 130lm/W

Materials : High-quality aluminum profile in powder coated finish, in white RAL 9016, black RAL 9005 or grey RAL 9006 (special color on request).

Diffusers: Micro Prismatic with excellent light transmission and homogeneous light distribution or high quality Opal PC. Available in black and white opal for a seamless look.



Micro
Prismatic



White
Opal



Black
Opal

The versatile light line

With its modular design, O-2 LED can be used as an individual fixture or as a combination of modules put together in continuous lines creating entire lighting systems for architectural buildings.

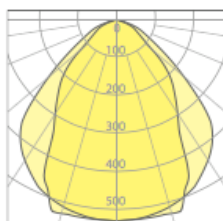


Optics

Five options of optics; Prismatic PMMA / OPAL PMMA / Asymmetric / Modular: narrow (30°) / wide (60°)

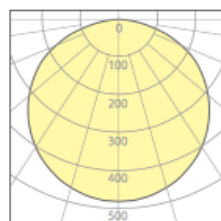
Asymmetric: Distinguished with an asymmetric distribution of light, O-2 Asymmetric delivers uniform, shadow-free illumination with no direct glare and no eye contact with the light source. It is particularly suitable for a proper illumination of the whiteboard in a classroom or conference room and to expose objects in shops and exhibition areas. It can work also as a wall washer.

Prismatic



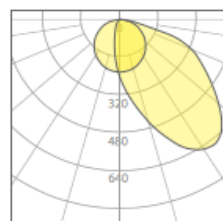
ILO R 1200 HE 25W
LED 840 MPR cd/klm

Opal



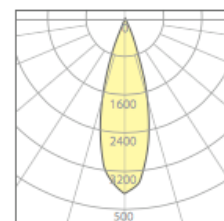
ILO R 1200 HO 37W
LED 840 OP cd/klm

Asymmetric



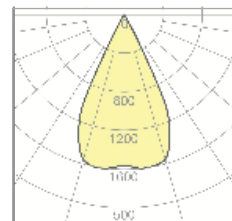
ILO R 1200 HO 37W
LED 840 OP cd/klm

Modular narrow



ILO R 1200 HE 25W
LED 840 MPR cd/klm

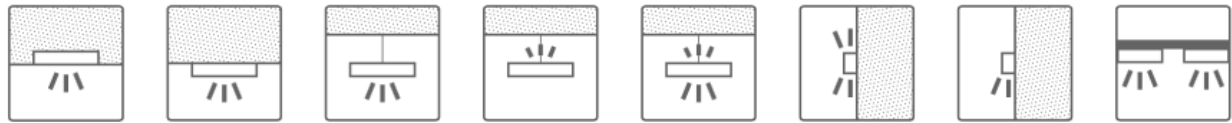
Modular wide



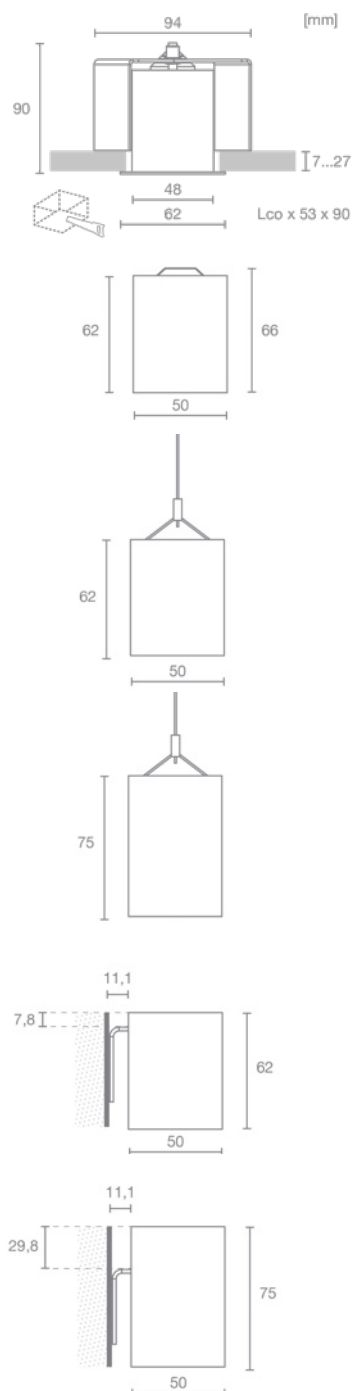
ILO R 1200 HE 25W
LED 840 MPR cd/klm



Installation



Various installation options : Recessed, Ceiling Mounted, Suspended in direct and direct-indirect light distribution and Surface Mounted.



Options

Color Temperature : 2700K, 3000K, 4000K, 5000K
(Tunable White from 2700K to 5000K)

Lighting control: Non-dimmable / switch DIM / Flicker-free dimming (3-100%) DALI / DALI 2-channels (direct / indirect) / Casambi

Emergency lighting: EM1h

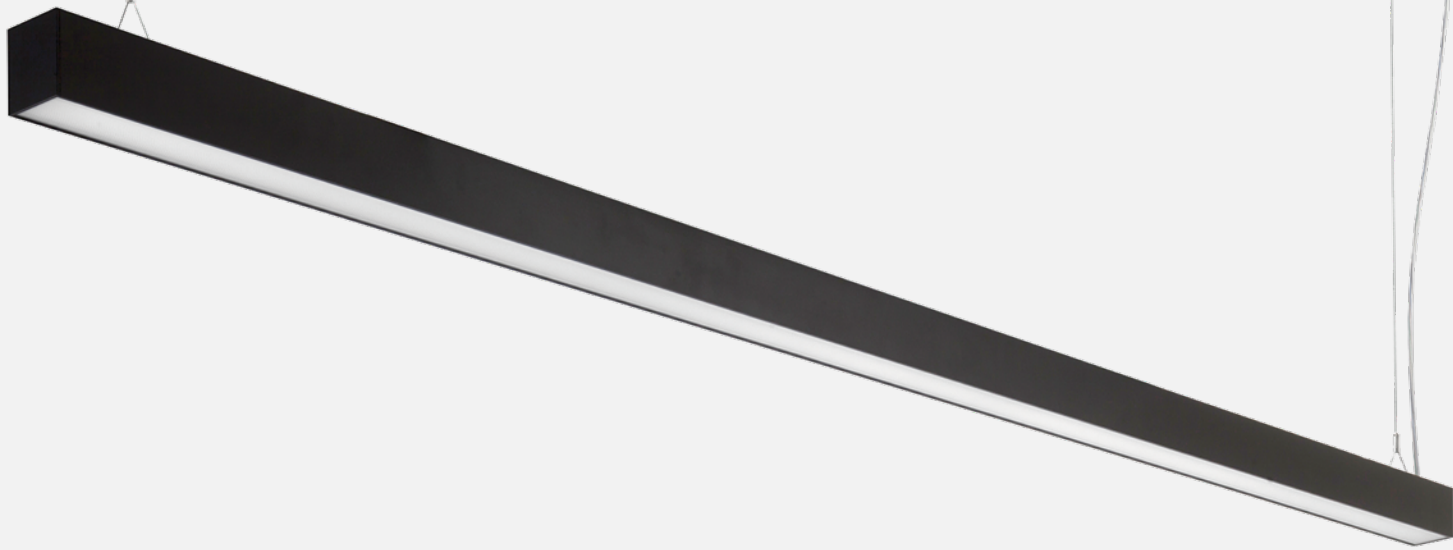
Luminous flux options of

- High Efficiency:** 2000lm/m or
- High Output:** 3000lm/m

Sizes :

- **R** 860 / 1140 / 1420 / 1700 / 2260 mm
- **C** 846 / 1266 / 1546 / 2246 mm
- **P** 846 / 1266 / 1546 / 2246 mm
- **P D/I** 846 / 1266 / 1546 / 2246 mm
- Continuous light-lines with corners

R recessed **C** surface **P** suspended



O2 LED DI

Linear light with direct light distribution.

O2 LED DI- PENDANT HIGH EFFICIENCY (HE)

LENGTH [mm]	POWER	LUMINAIRE'S LUMINOUS FLUX	LUMINAIRE'S EFFICACY	[kg]	CODE
1266	28 W	2623 lm	94 lm /W	3	O2 P DI 1266 HE
1546	34 W	3206 lm	94 lm /W	3,7	O2 P DI 1546 HE
2246	50 W	4663 lm	93 lm /W	6	O2 P DI 2246 HE
1266	29 W	2623 lm	90 lm /W	3	O2 P DI 1266 HE DALI
1546	35 W	3206 lm	92 lm /W	3,7	O2 P DI 1546 HE DALI
2246	51 W	4663 lm	92 lm /W	6	O2 P DI 2246 HE DALI

O2 LED DI- PENDANT HIGH OUTPUT (HO)

LENGTH [mm]	POWER	LUMINAIRE'S LUMINOUS FLUX	LUMINAIRE'S EFFICACY	[kg]	CODE
1266	40 W	3586 lm	90 lm /W	3	O2 P DI 1266 HO
1546	49 W	4383 lm	90 lm /W	3,7	O2 P DI 1546 HO
2246	71 W	6374 lm	90 lm /W	6	O2 P DI 2246 HO
1266	41 W	3586 lm	87 lm /W	3	O2 P DI 1266 HO DALI
1546	47 W	4383 lm	93 lm /W	3,7	O2 P DI 1546 HO DALI
2246	72 W	6374 lm	89 lm /W	6	O2 P DI 2246 HO DALI



O2 LED DI-IN

Linear light with direct and indirect light distribution.

O2 LED DI-IN PENDANT HIGH EFFICIENCY (HE)

LENGTH [mm]	POWER	DIRECT LUMINAIRE'S LUMINOUS FLUX	INDIRECT LUMINAIRE'S LUMINOUS FLUX	LUMINAIRE'S EFFICACY	[kg]	CODE
1266	50 W	2552 lm	2451 lm	100 lm /W	4	O2 P DI-IN 1266 HE
1546	62 W	3190 lm	3064 lm	101 lm /W	4,7	O2 P DI-IN 1546 HE
2246	96 W	4943 lm	4750 lm	101 lm /W	7	O2 P DI-IN 2246 HE
1266	51 W	2552 lm	2451 lm	98 lm /W	4	O2 P DI-IN 1266 HE DALI
1546	63 W	3190 lm	3064 lm	99 lm /W	4,7	O2 P DI-IN 1546 HE DALI
2246	97 W	4943 lm	4750 lm	100 lm /W	7	O2 P DI-IN 2246 HE DALI

O2 LED DI-IN PENDANT HIGH OUTPUT (HO)

LENGTH [mm]	POWER	DIRECT LUMINAIRE'S LUMINOUS FLUX	INDIRECT LUMINAIRE'S LUMINOUS FLUX	LUMINAIRE'S EFFICACY	[kg]	CODE
1266	71 W	3488 lm	3352 lm	96 lm /W	4	O2 P DI-IN 1266 HO
1546	88 W	4361 lm	4189 lm	97 lm /W	4,7	O2 P DI-IN 1546 HO
2246	137 W	6759 lm	6493 lm	99 lm /W	7	O2 P DI-IN 2246 HO
1266	72 W	3488 lm	3352 lm	95 lm /W	4	O2 P DI-IN 1266 HO DALI
1546	89 W	4361 lm	4189 lm	96 lm /W	4,7	O2 P DI-IN 1546 HO DALI
2246	136 W	6759 lm	6493 lm	98 lm /W	7	O2 P DI-IN 2246 HO DALI



S-2 LED

LED lighting system designed for inline installation with linkable units to create continuous lines. With its modern, no-frills design and a wide range of accessories, S-2 makes an interesting element of interior equipment. It complies with the highest lighting standards and combines consistent European manufacturing quality with a great value proposition. Suitable for lighting offices, conference rooms, receptions or other working spaces and large public areas such as airports.

S-2 LED

Power supply : 220 V - 240 V

Life (B10, L80) : 50.000h

Color Rendering Index : Ra > 80,
higher CRI available on request

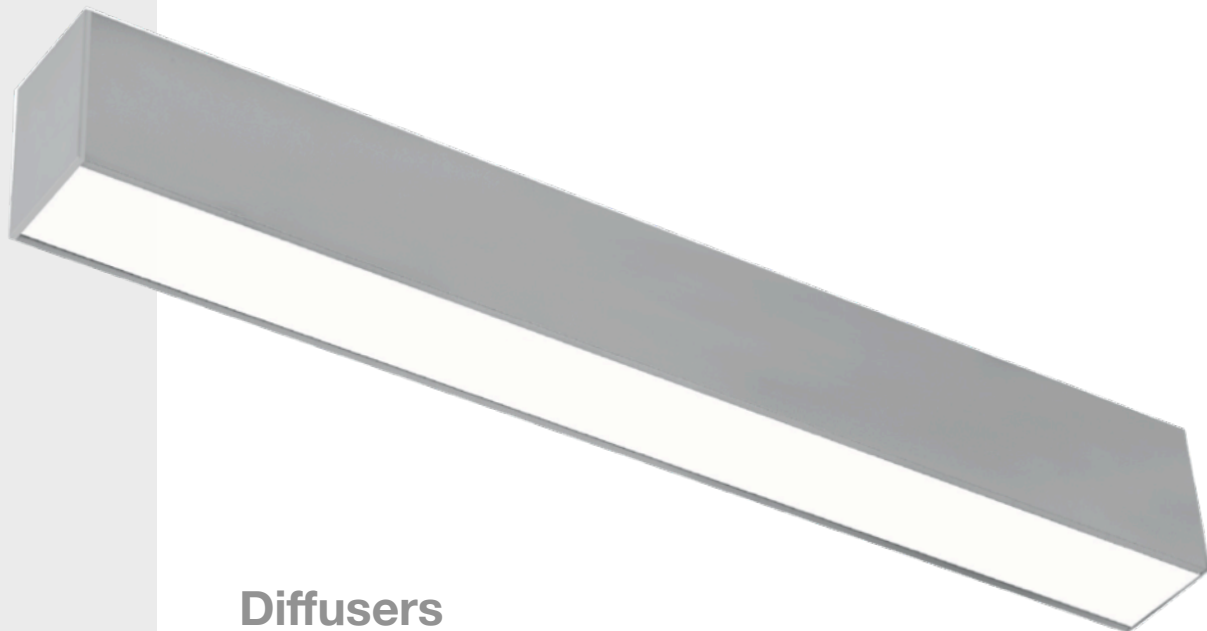
Color Consistency : MacAdam step < 3

UGR : <19

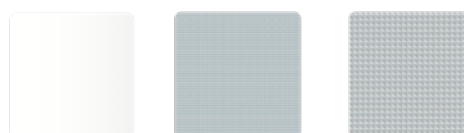
Luminaire's Efficacy: up to 150lm/W

Materials : High-quality aluminum profile in powder coated finish, in white RAL 9016, black RAL 9005 or grey RAL 9006 (special color on request)

IP Rating : IP20, IP40 with a masking cover



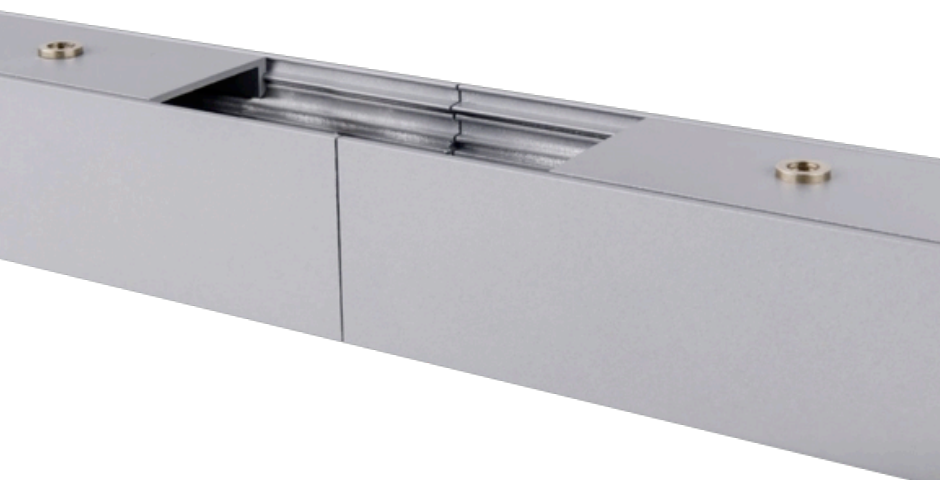
Diffusers



Three types of diffusers;

- Micro-Prismatic diffuser (MPRM)
- OPAL diffuser
- Parabolical louver PAR

Upper diffuser in OPAL inline with profile edge

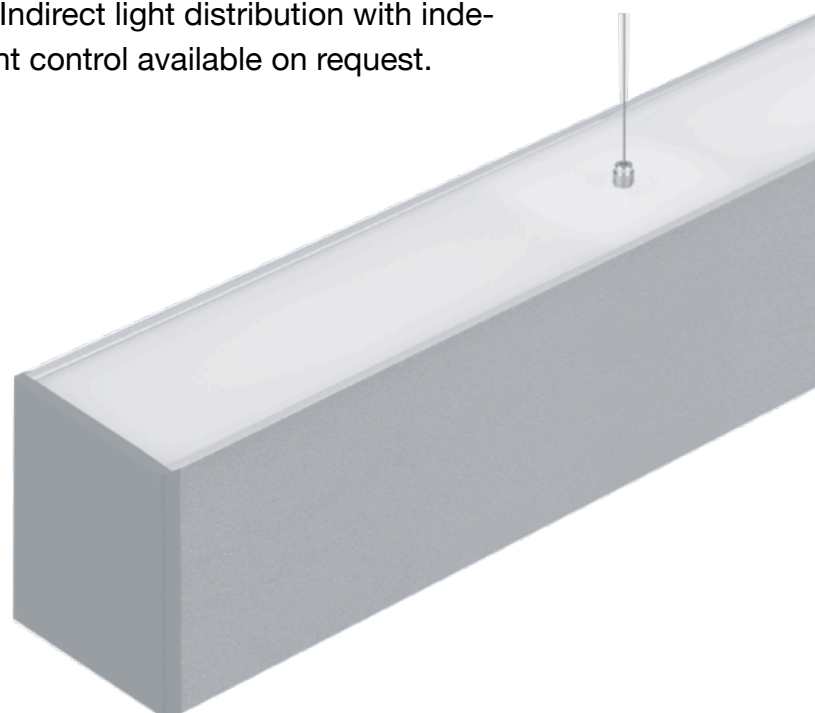


Continuous Lines

Product lengths: Ideally used in continuous runs made up of standard lengths. Lengths are determined by the LED PCB (multiples of 540mm). Inclusion of additional 98mm plates is possible on a special request, any additional blanking space has to be reviewed to ensure sections are illuminated as desired.

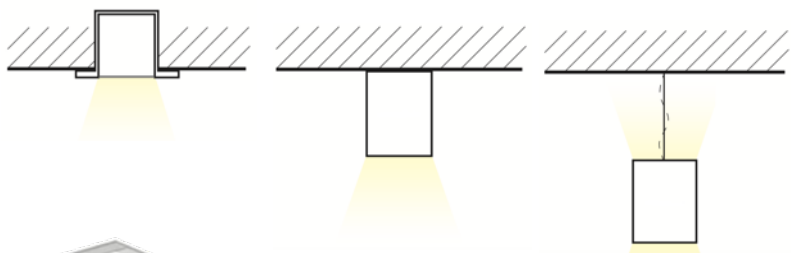
Direct and Direct-Indirect

Option of Linear Light with Direct and Direct-Indirect light distribution with independent control available on request.



Installation

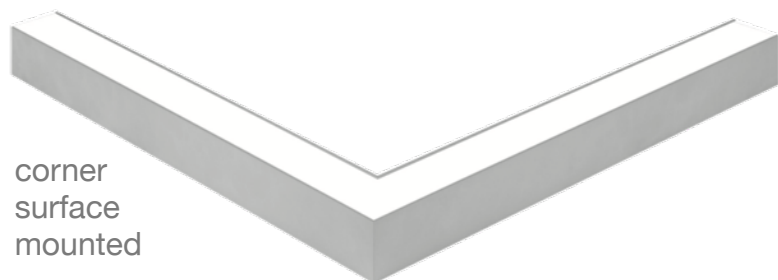
Various installation options : Recessed, Ceiling Mounted, Suspended in direct and direct-indirect light distribution and Surface Mounted.



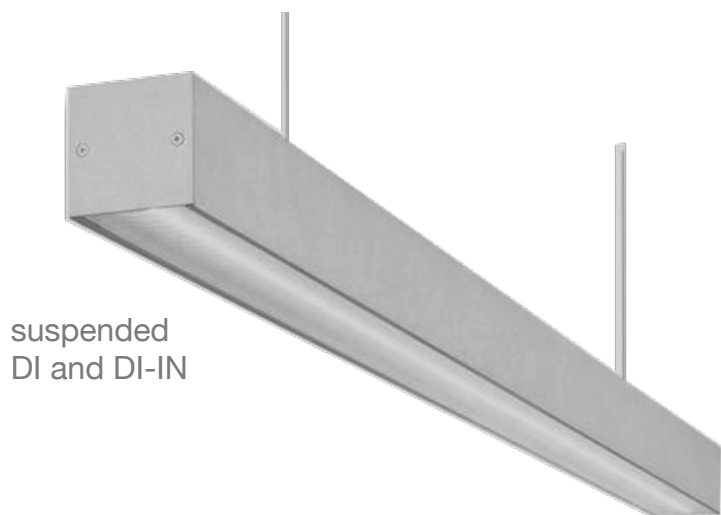
recessed



surface mounted



corner surface mounted



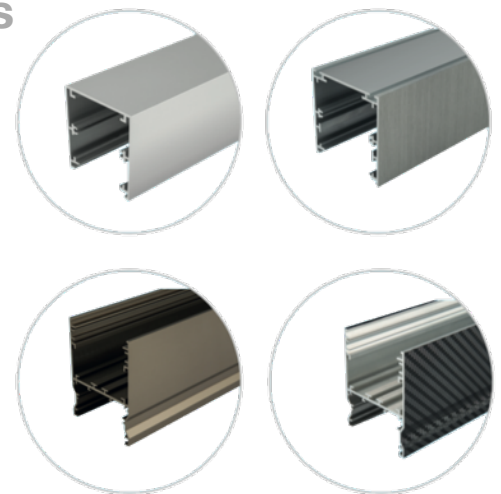
suspended
DI and DI-IN

Seamless Connection

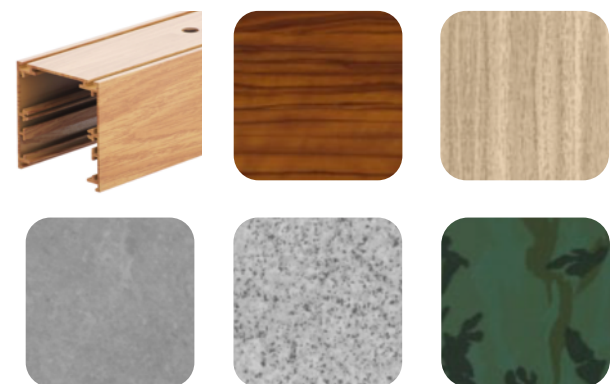
Lengths continuous with standard module: 545mm, 1085mm, 1625mm, 2170mm provide optimum homogenous light distribution.

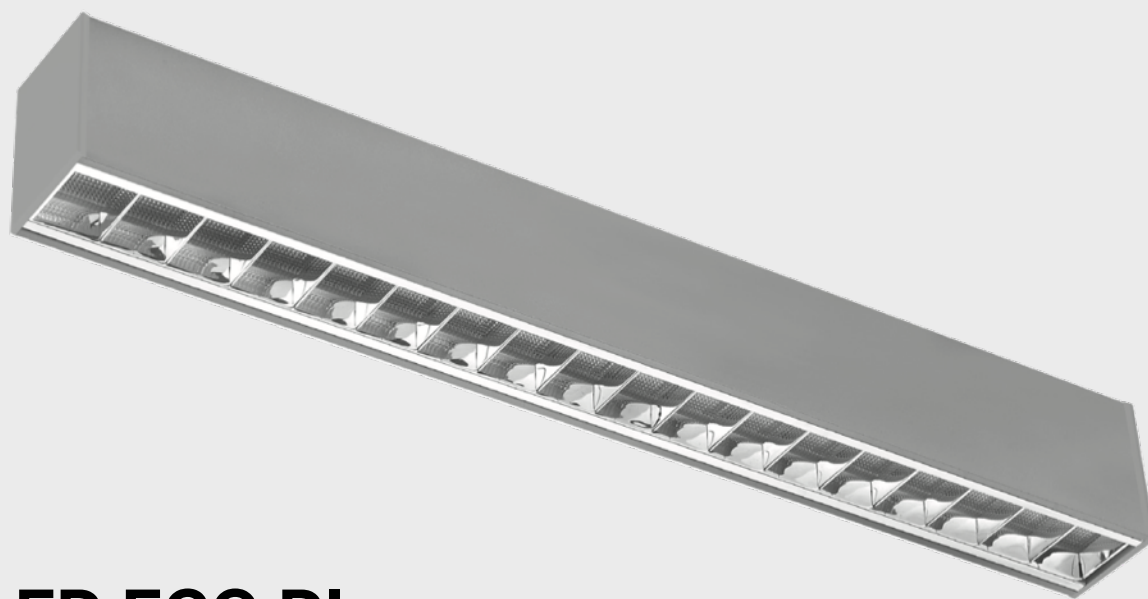
- Joining brackets - discrete, integral, hidden within runs provide a strong robust light bleed and are installation friendly.
- 90° fully illuminated with other angles available on request.
- Luminous flux: various programmable options to be available per each run
- The quick release 5-pole connection block allows to join the luminaires in line by section, to apply the 1-10V and DALI regulations and to connect a separate circuit for emergency modules.

Finishes



Finishes can be customized in RAL color palettes, Wood, Concrete, Granite and Carbon





S-2 LED ECO DI

Linear light with direct light distribution in universal installation

Approx. light output of 1300 lm/m with an efficacy of up to 120 lm/W

S-2 ECO LED DI OPAL

LENGTH [mm]	POWER	LAMP	LUMINAIRE'S LUMINOUS FLUX	LUMINAIRE'S EFFICACY	[kg]	DIFFUSER	CODE
545	8 W	LED 3000 K	640 lm	80 lm /W	1,3	OPAL	RX 42242
545	8 W	LED 4000 K	660 lm	83 lm /W	1,3	OPAL	RX 42248
1085	14 W	LED 3000 K	1290 lm	92 lm /W	2,3	OPAL	RX 42254
1085	14 W	LED 4000 K	1320 lm	94 lm /W	2,3	OPAL	RX 42260
1625	21 W	LED 3000 K	1910 lm	91 lm /W	3,2	OPAL	RX 42266
1625	21 W	LED 4000 K	1950 lm	93 lm /W	3,2	OPAL	RX 42272
2170	28 W	LED 3000 K	2520 lm	90 lm /W	4,5	OPAL	RX 42278
2170	28 W	LED 4000 K	2580 lm	92 lm /W	4,5	OPAL	RX 42284

S-2 ECO LED DI MPRM

LENGTH [mm]	POWER	LAMP	LUMINAIRE'S LUMINOUS FLUX	LUMINAIRE'S EFFICACY	[kg]	INFO	CODE
545	8 W	LED 3000 K	640 lm	84 lm /W	1,3	MPRM	RX 42290
545	8 W	LED 4000 K	680 lm	85 lm /W	1,3	MPRM	RX 42296
1085	14 W	LED 3000 K	1380 lm	99 lm /W	2,3	MPRM	RX 42302
1085	14 W	LED 4000 K	1410 lm	101 lm /W	2,3	MPRM	RX 42308
1625	21 W	LED 3000 K	2120 lm	101 lm /W	3,2	MPRM	RX 42314
1625	21 W	LED 4000 K	2170 lm	103 lm /W	3,2	MPRM	RX 42320
2170	28 W	LED 3000 K	2860 lm	102 lm /W	4,5	MPRM	RX 42326
2170	28 W	LED 4000 K	2930 lm	105 lm /W	4,5	MPRM	RX 42332

S-2 ECO LED DI PAR

LENGTH [mm]	POWER	LAMP	LUMINAIRE'S LUMINOUS FLUX	LUMINAIRE'S EFFICACY	[kg]	INFO	CODE
1085	14 W	LED 3000 K	1630 lm	116 lm /W	2,5	PAR	RX 42338
1085	14 W	LED 4000 K	1660 lm	119 lm /W	2,5	PAR	RX 42344
1625	21 W	LED 3000 K	2440 lm	116 lm /W	3,4	PAR	RX 42350
1625	21 W	LED 4000 K	2490 lm	119 lm /W	3,4	PAR	RX 42356
2170	27 W	LED 3000 K	3250 lm	120 lm /W	4,8	PAR	RX 42362
2170	27 W	LED 4000 K	3320 lm	123 lm /W	4,8	PAR	RX 42368



S-2 LED ECO DI-IN

Linear light with direct indirect light distribution in suspended installation

Approx. light output of 2100 lm/m with an efficacy of up to 120 lm/W

S-2 ECO LED DI-IN OPAL

LENGTH [mm]	POWER	LAMP	DIRECT LUMINAIRE'S LUMINOUS FLUX	INDIRECT LUMINAIRE'S LUMINOUS FLUX	LUMINAIRE'S EFFICACY	[kg]	DIFFUSER	CODE
1085	21 W	LED 3000 K	1242 lm	848 lm	100 lm /W	2,65	OPAL	RX 42374
1085	21 W	LED 4000 K	1267 lm	863 lm	101 lm /W	2,65	OPAL	RX 42380
1625	31 W	LED 3000 K	1843 lm	1257 lm	100 lm /W	3,70	OPAL	RX 42386
1625	31 W	LED 4000 K	1886 lm	1284 lm	102 lm /W	3,70	OPAL	RX 42392
2170	40 W	LED 3000 K	2443 lm	1667 lm	103 lm /W	5,35	OPAL	RX 42398
2170	40 W	LED 4000 K	2499 lm	1701 lm	105 lm /W	5,35	OPAL	RX 42404

S-2 ECO LED DI-IN MPRM

LENGTH [mm]	POWER	LAMP	DIRECT LUMINAIRE'S LUMINOUS FLUX	INDIRECT LUMINAIRE'S LUMINOUS FLUX	LUMINAIRE'S EFFICACY	[kg]	DIFFUSER	CODE
1085	21 W	LED 3000 K	1335 lm	845 lm	104 lm /W	2,65	MPRM	RX 42410
1085	21 W	LED 4000 K	1360 lm	860 lm	106 lm /W	2,65	MPRM	RX 42416
1625	31 W	LED 3000 K	2026 lm	1284 lm	107 lm /W	3,70	MPRM	RX 42422
1625	31 W	LED 4000 K	2076 lm	1314 lm	109 lm /W	3,70	MPRM	RX 42428
2170	40 W	LED 3000 K	2753 lm	1697 lm	111 lm /W	5,35	MPRM	RX 42434
2170	40 W	LED 4000 K	2814 lm	1736 lm	114 lm /W	5,35	MPRM	RX 42440

S-2 ECO LED DI-IN PAR

LENGTH [mm]	POWER	LAMP	DIRECT LUMINAIRE'S LUMINOUS FLUX	INDIRECT LUMINAIRE'S LUMINOUS FLUX	LUMINAIRE'S EFFICACY	[kg]	LOUVER	CODE
1085	21 W	LED 3000 K	1659 lm	811 lm	116 lm /W	2,85	PAR	RX 42446
1085	21 W	LED 4000 K	2440 lm	1190 lm	118 lm /W	2,85	PAR	RX 42452
1625	31 W	LED 3000 K	2437 lm	1193 lm	117 lm /W	3,90	PAR	RX 42458
1625	31 W	LED 4000 K	2493 lm	1217 lm	120 lm /W	3,90	PAR	RX 42464
2170	41 W	LED 3000 K	3250 lm	1590 lm	118 lm /W	5,65	PAR	RX 42470
2170	41 W	LED 4000 K	3320 lm	1620 lm	120 lm /W	5,65	PAR	RX 42476



S-2 LED HIGH OUTPUT (HO) DI

Linear light with direct light distribution in universal installation

Approx. light output of 2300 lm/m with an efficacy of up to 130 lm/W

S-2 HO LED DI OPAL

LENGTH [mm]	POWER	LAMP	LUMINAIRE'S LUMINOUS FLUX	LUMINAIRE'S EFFICACY	[kg]	DIFFUSER	CODE
545	13 W	LED 3000 K	1120 lm	86 lm /W	1,3	OPAL	RX 40501
545	13 W	LED 4000 K	1130 lm	86 lm /W	1,3	OPAL	RX 40508
1085	25 W	LED 3000 K	2330 lm	93 lm /W	2,3	OPAL	RX 40515
1085	25 W	LED 4000 K	2380 lm	95 lm /W	2,3	OPAL	RX 40522
1625	36 W	LED 3000 K	3610 lm	100 lm /W	3,2	OPAL	RX 40529
1625	36 W	LED 4000 K	3680 lm	102 lm /W	3,2	OPAL	RX 40536
2170	48 W	LED 3000 K	4850 lm	101 lm /W	4,5	OPAL	RX 40543
2170	48 W	LED 4000 K	4950 lm	103 lm /W	4,5	OPAL	RX 40550

S-2 HO LED DI MPRM

LENGTH [mm]	POWER	LAMP	LUMINAIRE'S LUMINOUS FLUX	LUMINAIRE'S EFFICACY	[kg]	INFO	CODE
545	13 W	LED 3000 K	1210 lm	93 lm /W	1,3	MPRM	RX 40557
545	13 W	LED 4000 K	1230 lm	94 lm /W	1,3	MPRM	RX 40564
1085	25 W	LED 3000 K	2510 lm	100 lm /W	2,3	MPRM	RX 40571
1085	25 W	LED 4000 K	2560 lm	102 lm /W	2,3	MPRM	RX 40578
1625	36 W	LED 3000 K	3860 lm	107 lm /W	3,2	MPRM	RX 40585
1625	36 W	LED 4000 K	3940 lm	109 lm /W	3,2	MPRM	RX 40592
2170	48 W	LED 3000 K	5200 lm	108 lm /W	4,5	MPRM	RX 40599
2170	48 W	LED 4000 K	5320 lm	110 lm /W	4,5	MPRM	RX 40606

S-2 HO LED DI PAR

LENGTH [mm]	POWER	LAMP	LUMINAIRE'S LUMINOUS FLUX	LUMINAIRE'S EFFICACY	[kg]	INFO	CODE
545	14 W	LED 3000 K	1630 lm	116 lm /W	1,4	PAR	RX 40613
545	14 W	LED 4000 K	1660 lm	119 lm /W	1,4	PAR	RX 40620
1085	27 W	LED 3000 K	3250 lm	120 lm /W	2,5	PAR	RX 40627
1085	27 W	LED 4000 K	3320 lm	122 lm /W	2,5	PAR	RX 40634
1625	40 W	LED 3000 K	4880 lm	122 lm /W	3,4	PAR	RX 40636
1625	40 W	LED 4000 K	4980 lm	124 lm /W	3,4	PAR	RX 40638
2170	51 W	LED 3000 K	6500 lm	127 lm /W	4,8	PAR	RX 40641
2170	51 W	LED 4000 K	6640 lm	130 lm /W	4,8	PAR	RX 40648



S-2 LED HIGH OUTPUT (HO) DI-IN

Linear light with direct and indirect light distribution in suspended installation

Approx. light output of 4000 lm/m with an efficacy of up to 120 lm/W

S-2 HO LED DI-IN OPAL

LENGTH [mm]	POWER	LAMP	DIRECT LUMINAIRE'S LUMINOUS FLUX	INDIRECT LUMINAIRE'S LUMINOUS FLUX	LUMINAIRE'S EFFICACY	[kg]	DIFFUSER	CODE
1085	39 W	LED 3000 K	2330 lm	1590 lm	100 lm /W	2,65	OPAL	RX 40655
1085	39 W	LED 4000 K	2380 lm	1620 lm	102 lm /W	2,65	OPAL	RX 40662
1625	58 W	LED 3000 K	3610 lm	2380 lm	103 lm /W	3,70	OPAL	RX 40669
1625	58 W	LED 4000 K	3680 lm	2430 lm	105 lm /W	3,70	OPAL	RX 40676
2170	77 W	LED 3000 K	4850 lm	3180 lm	104 lm /W	5,35	OPAL	RX 40683
2170	77 W	LED 4000 K	4950 lm	3240 lm	106 lm /W	5,35	OPAL	RX 40690

S-2 HO LED DI-IN MPRM

LENGTH [mm]	POWER	LAMP	DIRECT LUMINAIRE'S LUMINOUS FLUX	INDIRECT LUMINAIRE'S LUMINOUS FLUX	LUMINAIRE'S EFFICACY	[kg]	DIFFUSER	CODE
1085	39 W	LED 3000 K	2510 lm	1590 lm	105 lm /W	2,65	MPRM	RX 40697
1085	39 W	LED 4000 K	2560 lm	1620 lm	107 lm /W	2,65	MPRM	RX 40704
1625	58 W	LED 3000 K	3860 lm	2380 lm	107 lm /W	3,70	MPRM	RX 40711
1625	58 W	LED 4000 K	3940 lm	2430 lm	109 lm /W	3,70	MPRM	RX 40718
2170	77 W	LED 3000 K	5200 lm	3180 lm	108 lm /W	5,35	MPRM	RX 40725
2170	77 W	LED 4000 K	5320 lm	3240 lm	111 lm /W	5,35	MPRM	RX 40732

S-2 HO LED DI-IN PAR

LENGTH [mm]	POWER	LAMP	DIRECT LUMINAIRE'S LUMINOUS FLUX	INDIRECT LUMINAIRE'S LUMINOUS FLUX	LUMINAIRE'S EFFICACY	[kg]	DIFFUSER	CODE
1085	42 W	LED 3000 K	3250 lm	1590 lm	115 lm /W	2,85	PAR	RX 40739
1085	42 W	LED 4000 K	3320 lm	1620 lm	117 lm /W	2,85	PAR	RX 40746
1625	59 W	LED 3000 K	4880 lm	2380 lm	123 lm /W	3,90	PAR	RX 40748
1625	59 W	LED 4000 K	4900 lm	2430 lm	125 lm /W	3,90	PAR	RX 40750
2170	73 W	LED 3000 K	6500 lm	3180 lm	118 lm /W	5,65	PAR	RX 40753
2170	73 W	LED 4000 K	6640 lm	3240 lm	120 lm /W	5,65	PAR	RX 40760



S-2 LED HIGH OUTPUT (HO) Extreme Efficacy (EE) DI

Linear light with direct light distribution in universal installation

Approx. light output of 2200 lm/m with an extreme efficacy of up to 150 lm/W

S-2 HO EE LED DI OPAL

LENGTH [mm]	POWER	LAMP	LUMINAIRE'S LUMINOUS FLUX	LUMINAIRE'S EFFICACY	[kg]	DIFFUSER	CODE
545	10 W	LED 3000 K	1100 lm	110 lm /W	1,3	OPAL	RX 43001
545	10 W	LED 4000 K	1130 lm	113 lm /W	1,3	OPAL	RX 43008
1085	19 W	LED 3000 K	2200 lm	116 lm /W	2,3	OPAL	RX 43015
1085	19 W	LED 4000 K	2270 lm	119 lm /W	2,3	OPAL	RX 43022
1625	28 W	LED 3000 K	3300 lm	118 lm /W	3,2	OPAL	RX 43029
1625	28 W	LED 4000 K	3400 lm	121 lm /W	3,2	OPAL	RX 43036
2170	38 W	LED 3000 K	4400 lm	116 lm /W	4,5	OPAL	RX 43043
2170	38 W	LED 4000 K	4540 lm	119 lm /W	4,5	OPAL	RX 43050

S-2 HO EE LED DI MPRM

LENGTH [mm]	POWER	LAMP	LUMINAIRE'S LUMINOUS FLUX	LUMINAIRE'S EFFICACY	[kg]	INFO	CODE
545	10 W	LED 3000 K	1190 lm	119 lm /W	1,3	MPRM	RX 43057
545	10 W	LED 4000 K	1230 lm	123 lm /W	1,3	MPRM	RX 43064
1085	19 W	LED 3000 K	2390 lm	126 lm /W	2,3	MPRM	RX 43071
1085	19 W	LED 4000 K	2460 lm	129 lm /W	2,3	MPRM	RX 43078
1625	28 W	LED 3000 K	3580 lm	128 lm /W	3,2	MPRM	RX 43085
1625	28 W	LED 4000 K	3690 lm	132 lm /W	3,2	MPRM	RX 43092
2170	38 W	LED 3000 K	4770 lm	126 lm /W	4,5	MPRM	RX 43099
2170	38 W	LED 4000 K	4920 lm	110 lm /W	4,5	MPRM	RX 43106

S-2 HO EE LED DI PAR

LENGTH [mm]	POWER	LAMP	LUMINAIRE'S LUMINOUS FLUX	LUMINAIRE'S EFFICACY	[kg]	INFO	CODE
545	12 W	LED 3000 K	1560 lm	130 lm /W	1,4	PAR	RX 43113
545	12 W	LED 4000 K	1600 lm	133 lm /W	1,4	PAR	RX 43120
1085	22 W	LED 3000 K	3110 lm	141 lm /W	2,5	PAR	RX 43127
1085	22 W	LED 4000 K	3210 lm	146 lm /W	2,5	PAR	RX 43134
1625	32 W	LED 3000 K	4670 lm	146 lm /W	3,4	PAR	RX 43141
1625	32 W	LED 4000 K	4810 lm	150 lm /W	3,4	PAR	RX 43148
2170	42 W	LED 3000 K	6220 lm	148 lm /W	4,8	PAR	RX 43155
2170	42 W	LED 4000 K	6410 lm	153 lm /W	4,8	PAR	RX 43162



S-2 LED HIGH OUTPUT (HO) Extreme Efficacy (EE) DI-IN

Linear light with direct and indirect light distribution in suspended installation
Approx. light output of 4000 lm/m with an extreme efficacy of up to 160 lm/W

S-2 HO EE LED DI-IN OPAL

LENGTH [mm]	POWER	LAMP	DIRECT LUMINAIRE'S LUMINOUS FLUX	INDIRECT LUMINAIRE'S LUMINOUS FLUX	LUMINAIRE'S EFFICACY	[kg]	DIFFUSER	CODE
1085	33 W	LED 3000 K	2419 lm	1651 lm	123 lm /W	2,65	OPAL	RX 43169
1085	33 W	LED 4000 K	2499 lm	1701 lm	127 lm /W	2,65	OPAL	RX 43176
1625	41 W	LED 3000 K	3043 lm	2077 lm	125 lm /W	3,70	OPAL	RX 43183
1625	41 W	LED 4000 K	3136 lm	2134 lm	129 lm /W	3,70	OPAL	RX 43190
2170	56 W	LED 3000 K	4279 lm	2821 lm	127 lm /W	5,35	OPAL	RX 43197
2170	56 W	LED 4000 K	4409 lm	2911 lm	131 lm /W	5,35	OPAL	RX 43204

S-2 HO EE LED DI-IN MPRM

LENGTH [mm]	POWER	LAMP	DIRECT LUMINAIRE'S LUMINOUS FLUX	INDIRECT LUMINAIRE'S LUMINOUS FLUX	LUMINAIRE'S EFFICACY	[kg]	DIFFUSER	CODE
1085	33 W	LED 3000 K	2608 lm	1652 lm	129 lm /W	2,65	MPRM	RX 43211
1085	33 W	LED 4000 K	2689 lm	1701 lm	133 lm /W	2,65	MPRM	RX 43218
1625	41 W	LED 3000 K	3306 lm	2094 lm	132 lm /W	3,70	MPRM	RX 43225
1625	41 W	LED 4000 K	3405 lm	2155 lm	136 lm /W	3,70	MPRM	RX 43232
2170	56 W	LED 3000 K	4621 lm	2849 lm	133 lm /W	5,35	MPRM	RX 43239
2170	56 W	LED 4000 K	4763 lm	2937 lm	138 lm /W	5,35	MPRM	RX 43246

S-2 HO EE LED DI-IN PAR

LENGTH [mm]	POWER	LAMP	DIRECT LUMINAIRE'S LUMINOUS FLUX	INDIRECT LUMINAIRE'S LUMINOUS FLUX	LUMINAIRE'S EFFICACY	[kg]	DIFFUSER	CODE
1085	34 W	LED 3000 K	3404 lm	1666 lm	149 lm /W	2,85	PAR	RX 43253
1085	34 W	LED 4000 K	3488 lm	1702 lm	153 lm /W	2,85	PAR	RX 43260
1625	48 W	LED 3000 K	4882 lm	2388 lm	151 lm /W	3,90	PAR	RX 43267
1625	48 W	LED 4000 K	5013 lm	2446 lm	155 lm /W	3,90	PAR	RX 43274
2170	65 W	LED 3000 K	6722 lm	3278 lm	154 lm /W	5,65	PAR	RX 43281
2170	65 W	LED 4000 K	6852 lm	3398 lm	158 lm /W	5,65	PAR	RX 43288

Options

Color temp: 3000K and 4000K as standard

Luminous flux options for extreme efficacy version is available on request in the same design and housing using EE LED boards

Dimming protocols: DALI, 1-10V

Sensors: Actilume, PIR, MW

Smart Lighting ready: Possibility of mounting “Active+” self-learning energy saving system.

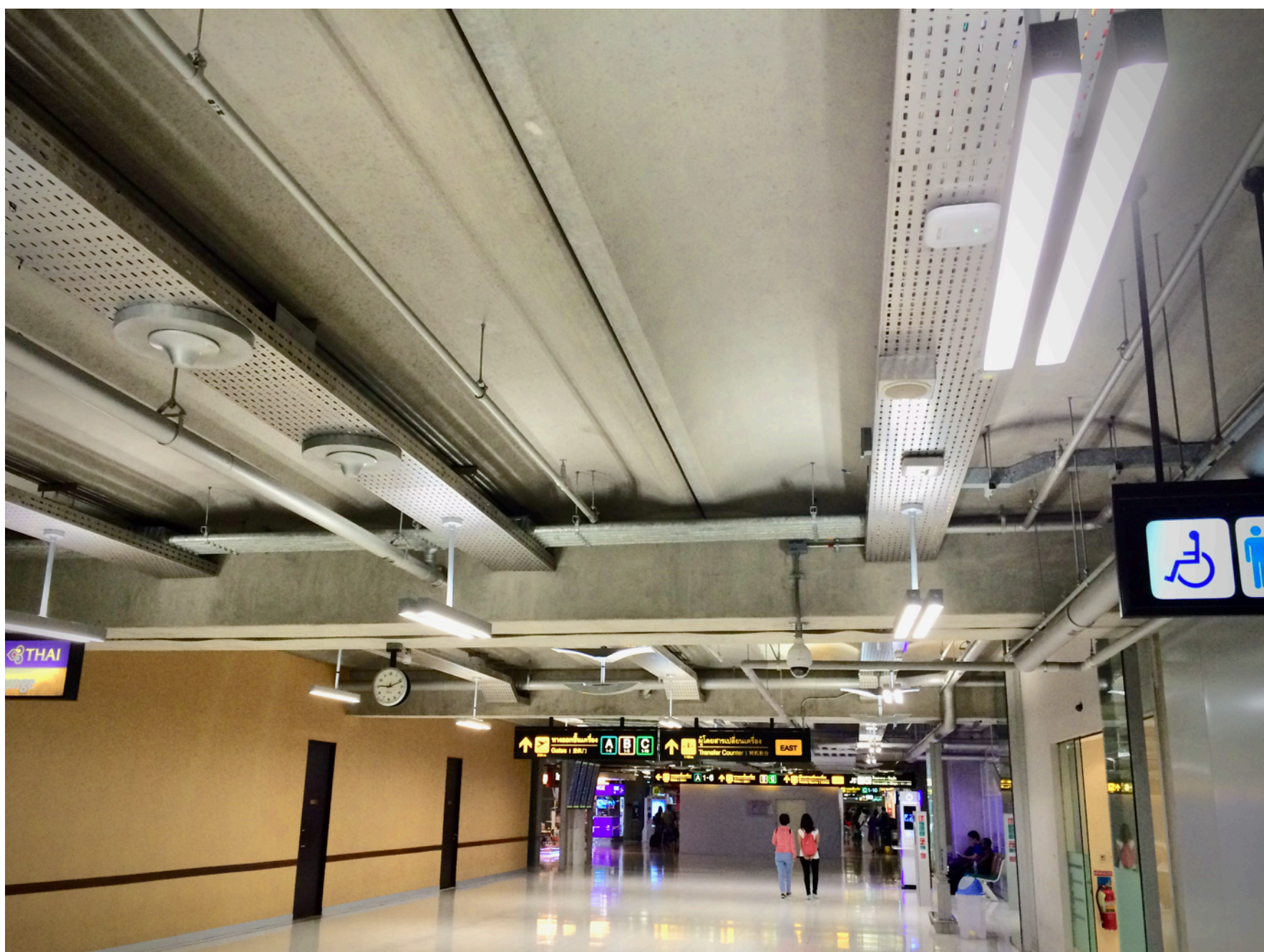
Emergency: Integral 1h/2h/3h basic, self-test or EMPRO.

Below
Waldmann Singapore
Conference Area
Singapore

Next page top
Oracle
Office Area
Jakarta

Next page bottom
Suvarnabhumi Airport, BKK
Concourse D
Bangko







PENDANT LIGHTS

For more information :
info@ralum.biz | www.ralum.lighting

Ralum 
BECAUSE LIGHTING MATTERS



RING - O

Suspended luminaire with a slim circular frame offsetting a transparent opaque panel, light and unobtrusive element for spaces with a designed ceiling. RING-O is perfectly suitable for corridors, receptions, waiting lounges, conference rooms and offices.



RING - O

Power Supply : 220V - 240V

Life (L90, B10) : > 52,000h

Color Rendering Index : 83

Color Consistency : McAdam step <3

Luminaire's Efficacy : up to 101lm/W

Color Temperature : 3000K or 4000 K

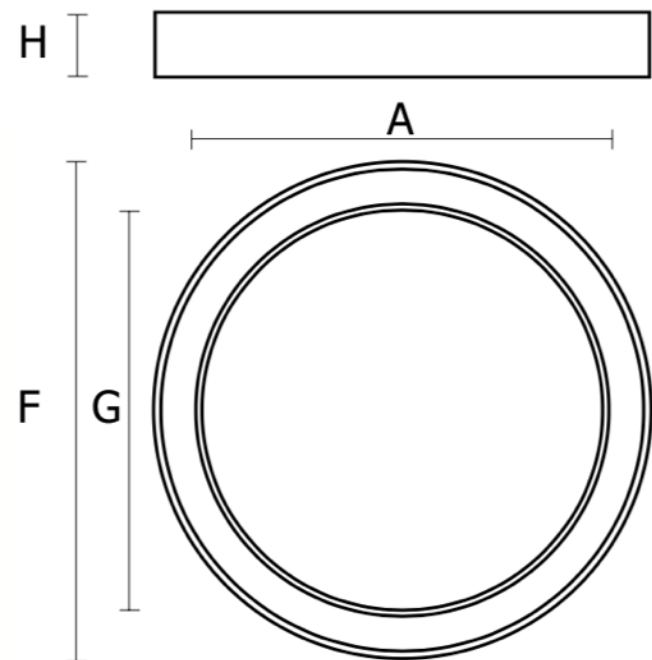
Dimming Options : DALI

IP Rating : IP 40

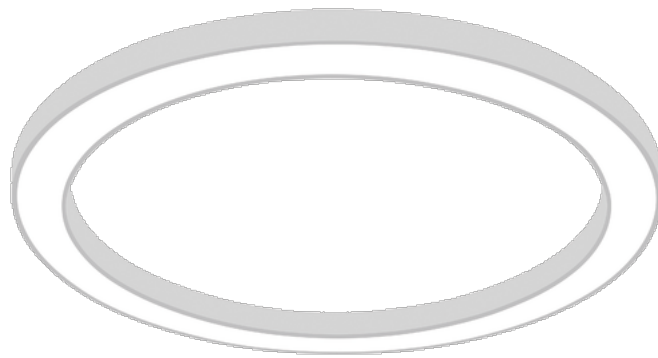
Materials: High quality aluminum profile in powder coated finish in grey RAL 9006 (special color on request). Diffuser in white opal plastic with louver in white opal plastic.

Installation :

Suspended
(suspension 1,5m in set)



L [mm]	W [mm]	H [mm]	A [mm]
800	800	60	525/611
1200	1200	60	825/953



RING-O LED DI

Circular light with direct light distribution in suspended installation

DIAMETER [mm]	POWER	LAMP	LUMINAIRE'S LUMINOUS FLUX	LUMINAIRE'S EFFICACY	[kg]	CODE
800	86 W	LED 3000 K	8390 lm	98 lm /W	6,8	RX 90701
800	86 W	LED 4000 K	8650 lm	101 lm /W	6,8	RX 90708
1200	140 W	LED 3000 K	13580 lm	97 lm /W	10,5	RX 90715
1200	140 W	LED 4000 K	14000 lm	100 lm /W	10,5	RX 90722





SKY C

Suspended luminaire with a slim frame around a transparent panel, which makes the luminaire an elegant and unobtrusive element in the room. When switched on, the luminaire changes its appearance to opaque and creates a perception of a pleasant circular light hanging in the air. Its unique shape is an attractive solution for offices, conference centers, lobbies, shops, foyers, corridors, schools and other environments where you want to make an impact. It is reminiscent to beauty of the natural sky.



SKY - C

Power Supply : 220V - 240V

Color Rendering : RA>80/90 (on request)

Color Consistency : MacAdam Step < 3

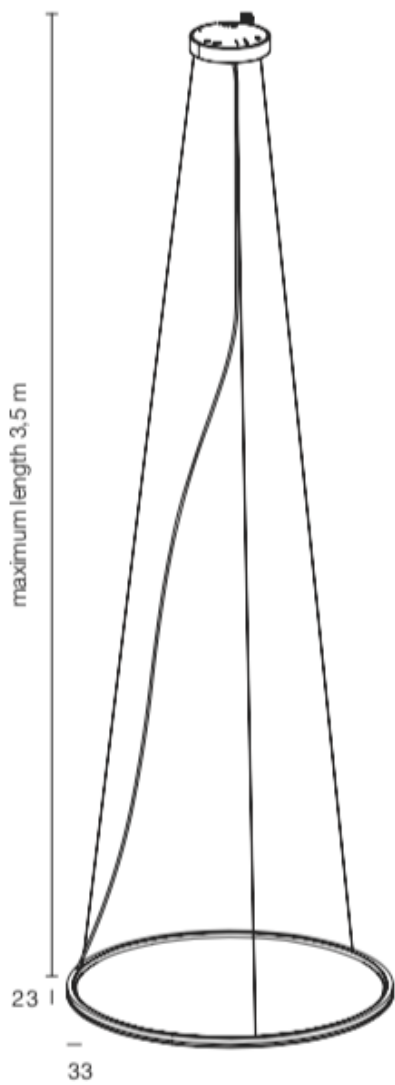
Luminary efficiency : 94lm/W

UGR : <19

Life (L80, B20) : 100.000h

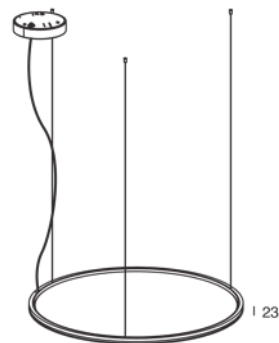
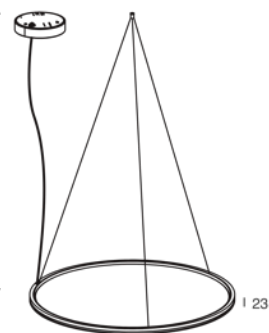
Materials : High quality aluminum housing in powder coated white RAL 9016 fine texture or black RAL9005 fine texture.

Optics : High-quality PMMA prismatic sheet.



Suspension :

maximum length 3,5m
(triangular suspension usable for sizes up to Ø 1000mm)





Options

Light Color Temperatures :

- 2700K Warm White
- 3000K Warm White
- 4000K Neutral White
- 5000K Cool White

Dimming :

- /S switchable on off / non dim
- /D digital dimmable DALI
- /A 1-10V analog dimmable
- /C Casambi



SKY C LED DI-IN

Circular light with direct indirect light distribution for suspended installation

DIAMETER (mm)	SYSTEM POWER	DIRECT LIGHT OUTPUT	INDIRECT LIGHT OUTPUT	WEIGHT [kg]	CODE
470	39 W	1651 lm	1983 lm	5,1	SKY C 470
560	48 W	1980 lm	2379 lm	5,6	SKY C 560
650	55 W	2311 lm	2777 lm	6,2	SKY C 650
740	62 W	2642 lm	3173 lm	6,7	SKY C 740
825	70 W	2972 lm	3570 lm	7,3	SKY C 825
1000	70 W	2833 lm	3404 lm	9,6	SKY C 1000
1200	82 W	3274 lm	3933 lm	13,5	SKY C 1200
1500	107 W	4136 lm	4968 lm	17,0	SKY C 1500





SKY R

Characterized by a slim frame around a transparent panel, the SKY-R adds elegance into the room. The luminaire that makes your office a place of comfort and gives a stylish touch to your interior. Emitting light both up to the ceiling and down to the workspace, it supplies homogenous glare-free light and a maximum level of visual comfort. It is the perfect fixture for conference rooms, open offices, lobbies, and other environments.



SKY - R

Power Supply : 220V - 240V

Color Rendering : Ra >80 / >90 (on request)

Color Consistency : MacAdam Step < 3

Luminary efficiency : up to 80lm/W

UGR : <19

Life (L80, B20) : 100.000h

Materials : High quality aluminum housing in powder coated white RAL 9016 fine texture or black RAL9005 fine texture.

Optics : High-quality PMMA prismatic sheet.

Options

Light Color Temperatures :

2700K Warm White

3000K Warm White

4000K Neutral White

5000K Cool White

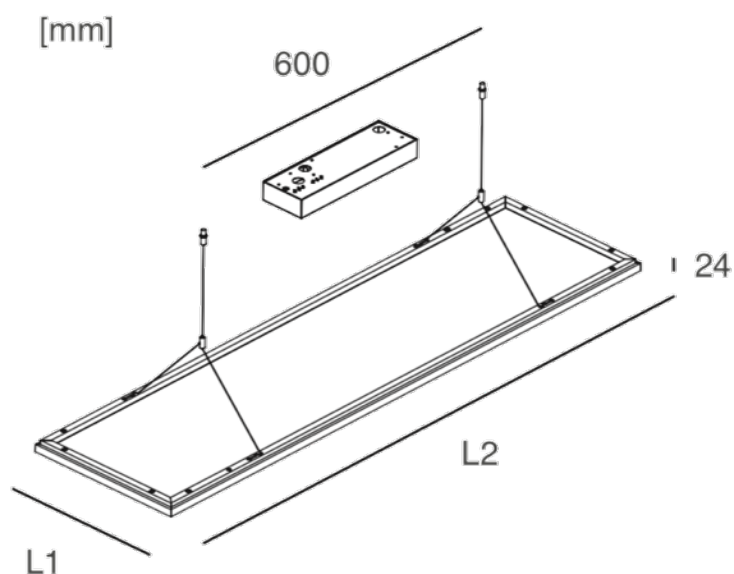
Dimming :

/S switchable on off / non dim

/D digital dimmable

/A 1-10V analog dimmable

/C Casambi



L1	L2
315	1155
465	1435

Characterized with a slim frame around a transparent panel, Sky R does not impose the architecture of the room, but adds elegance.



SKY R LED DI-IN

Panel light with direct and indirect light distribution in suspended installation.

DIMENSION [mm]	POWER	DIRECT LUMINAIRE'S LUMINOUS FLUX	INDIRECT LUMINAIRE'S LUMINOUS FLUX	LUMINAIRE'S EFFICACY	[kg]	CODE
1200 X 300	58 W	2634 lm	2243 lm	84 lm /W	4,6	SKY R 12030
1200 x 450	59 W	2634 lm	2243 lm	82 lm /W	5,6	SKY R 12040
1500 x 300	64 W	2912 lm	2480 lm	88 lm /W	6,3	SKY R 15030
1500 x 450	65 W	2912 lm	2480 lm	88 lm /W	7,4	SKY R 15040



SICA

LED pendant luminaire with options of direct and direct-indirect light distribution. Constructed from an aluminum-profile without visible seam, the luminaire is sleek and modern. Suitable for offices and lounge areas.



SICA

Power Supply : 220V - 240V

Life (L90, B10) : 50,000h

Color Rendering Index : > 80, >90 on request

Color Consistency : MacAdam step <3

Luminaire's Efficacy : 3000K and 4000K, others on request

Materials :

High quality aluminum-profile without visible seam in powder coated matte white RAL 9003 or matte silver RAL 9006, other colors available on request.

Diffusers: Microprismatic (MPRM) screen for glare-free illumination or opal diffuser for perfect uniform and enhanced light transmission.

Dimming Options : DALI, 1-10V, Touch-Dim, CASAMBI

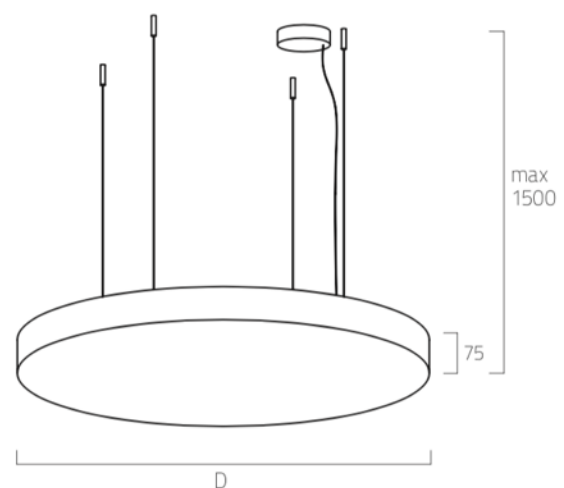
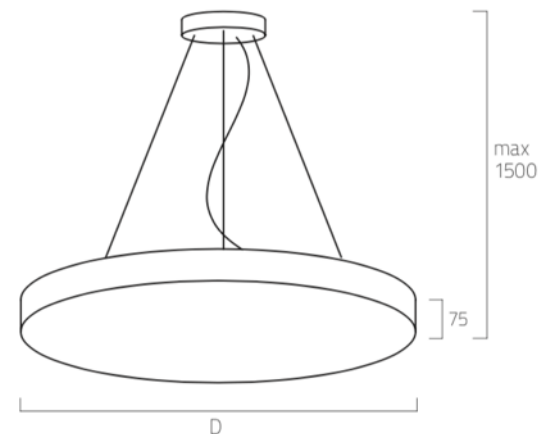
Direct and Direct-Indirect

Available in Direct or Direct-Indirect for both MPRM and Opal Diffusers.

Suspension

Height adjustable in 3- or 4-cord suspension for central installation with transparent power supply cable and ceiling rose matching luminaire's color.

< D900 with 3-cord suspension.
>,= D900 mm with 4-cord suspension.





SICA LED DI

Circular light with direct light distribution in suspended installation.

SICA DI OPAL

DIAMETER [mm]	POWER	LIGHT OUTPUT	WEIGHT [kg]
300	16 W	1980 lm	2,9
400	28 W	3760 lm	5,0
500	36 W	5050 lm	7,2
600	53 W	7570 lm	8,2
900	94 W	9630 lm	17,5
1200	164 W	17070 lm	23,5

SICA DI MPRM

DIAMETER [mm]	POWER	LIGHT OUTPUT	WEIGHT [kg]
300	16 W	1800 lm	2,9
400	28 W	3590 lm	5,0
500	36 W	4820 lm	7,2
600	53 W	7220 lm	8,2
900	94 W	9240 lm	17,5
1200	164 W	16380 lm	23,5



SICA LED DI-IN

Circular light with direct and indirect light distribution in suspended installation.

SICA DI-IN OPAL

DIAMETER [mm]	POWER	LIGHT OUTPUT	WEIGHT [kg]
300	22 W	2900 lm	3,0
400	41 W	5780 lm	5,3
500	53 W	7770 lm	7,4
600	90 W	12850 lm	8,7
900	127 W	13000 lm	18,0
1200	212 W	22130 lm	24,0

SICA DI-IN MPRM

DIAMETER (mm)	POWER	LIGHT OUTPUT	WEIGHT [kg]
300	22 W	2810 lm	3,0
400	41 W	5610 lm	5,3
500	53 W	7540 lm	7,4
600	90 W	12500 lm	8,7
900	127 W	12610 lm	18,0
1200	212 W	21440 lm	24,0







Left
Lobby **Exim Bank**,
Jakarta

Right
Meeting Room **Puma Energy**,
Papua New Guinea



CLOUD

Inspired by the light play of an early moon shining through a lightly clouded sky. CLOUD can be surface mounted or suspended with suspension accessories. The luminaire uses high performance LED-boards and prime LED-drivers.



CLOUD

Power Supply: 220V - 240V

Color Rendering Index : 80

Luminaire's Efficacy : 3000K and 4000K

Diameters (mm) : 320/ 440/ 520/ 800/ 1065

Power (W) : 10/ 24/ 24/ 46/ 77

Luminous Flux (lm) : 810/ 2410 /2680 /4740 /8280

Dimming Options: DALI, CASAMBI, 1-10V

Materials:

High quality aluminum-profile with steel sheet base plate.

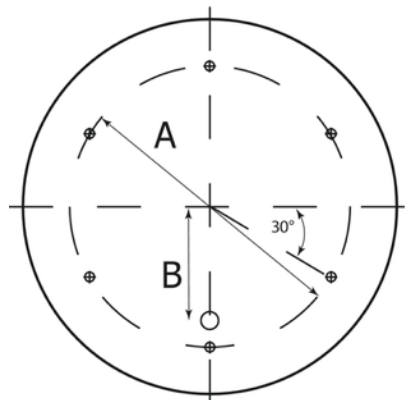
Housing finish: powder coated grey, other RAL colors available on request.

Diffuser: Microprismatic MPRM diffuser or opal diffuser.

Installation: Surface mounted or suspended with suspension set accessories.



Standard length of suspension max 1,5m



CLOUD LED

∅ 1065

∅ 800



CLOUD LED

∅ 520

∅ 440

∅ 320



CLOUD LED HIGH POWER - Narrow Frame



INFO	F [mm]	A [mm]	H [mm]	K [mm]
∅320	320	250	69	28
∅440	440	328	69	28
∅520	520	415	69	50
∅800	800	700	110	50
∅1065	1065	965	125	50
∅320 HighPower	320	250	69	14
∅440 HighPower	440	328	69	14
∅520 HighPower	520	415	69	14



CLOUD LED DI

Circular light with direct light distribution.



CLOUD LED DI OPAL

DIAMETER [mm]	POWER	LAMP	LUMINAIRE'S LUMINOUS FLUX	LUMINAIRE'S EFFICACY	[kg]	INFO	CODE
320	10 W	LED 3000 K	790 lm	79 lm /W	1,6	OPAL	RX 07490
320	10 W	LED 4000 K	810 lm	81 lm /W	1,6	OPAL	RX 07495
800	46 W	LED 3000 K	4650 lm	101 lm /W	12,0	OPAL	RX 07701
800	46 W	LED 4000 K	4740 lm	103 lm /W	12,0	OPAL	RX 07708
1065	77 W	LED 3000 K	8120 lm	105 lm /W	17,0	OPAL	RX 07490
1065	77 W	LED 4000 K	8280 lm	107 lm /W	17,0	OPAL	RX 07490

CLOUD LED DI MPRM

DIAMETER [mm]	POWER	LAMP	LUMINAIRE'S LUMINOUS FLUX	LUMINAIRE'S EFFICACY	[kg]	INFO	CODE
320	10 W	LED 3000 K	830 lm	83 lm /W	1,6	MPRM	RX 07517
320	10 W	LED 4000 K	850 lm	85 lm /W	1,6	MPRM	RX 07519
440	46 W	LED 3000 K	2360 lm	98 lm /W	3,4	MPRM	RX 07520
440	46 W	LED 4000 K	2410 lm	100 lm /W	3,4	MPRM	RX 07525
520	77 W	LED 3000 K	2630 lm	109 lm /W	4,2	MPRM	RX 07530
520	77 W	LED 4000 K	2680 lm	111 lm /W	4,2	MPRM	RX 07535



CLOUD LED DI HIGH POWER

Circular light with direct light distribution with high power

CLOUD LED DI HIGH POWER OPAL

DIAMETER [mm]	POWER	LAMP	LUMINAIRE'S LUMINOUS FLUX	LUMINAIRE'S EFFICACY	[kg]	INFO	CODE
320	21 W	LED 3000 K	1720 lm	82 lm /W	2,3	OPAL	RX 07496
320	21 W	LED 4000 K	1750 lm	84 lm /W	2,3	OPAL	RX 07519
440	34 W	LED 3000 K	3750 lm	110 lm /W	4,0	OPAL	RX 07750
440	34 W	LED 4000 K	3830 lm	113 lm /W	4,0	OPAL	RX 07756
520	34 W	LED 3000 K	3840 lm	113 lm /W	4,0	OPAL	RX 07774
520	34 W	LED 4000 K	3920 lm	115 lm /W	4,0	OPAL	RX 07780

CLOUD LED DI HIGH POWER MPRM

DIAMETER [mm]	POWER	LAMP	LUMINAIRE'S LUMINOUS FLUX	LUMINAIRE'S EFFICACY	[kg]	INFO	CODE
320	21 W	LED 3000 K	1910 lm	91 lm /W	2,3	MPRM	RX 07498
320	21 W	LED 4000 K	1950 lm	93 lm /W	2,3	MPRM	RX 07499
440	34 W	LED 3000 K	4170 lm	123 lm /W	4,0	MPRM	RX 07762
440	34 W	LED 4000 K	4260 lm	125 lm /W	4,0	MPRM	RX 07768
520	34 W	LED 3000 K	4270 lm	126 lm /W	4,0	MPRM	RX 07786
520	34 W	LED 4000 K	4360 lm	128 lm /W	4,0	MPRM	RX 07792

Right and below
Meeting Room & Cafeteria
Kühne & Nagel,
Jakarta





Above
Office **Huawei**,
Jakarta

Left
Cafeteria **Kühne & Nagel**,
Jakarta





TOOB

Suspended LED luminaire with subtle and sophisticated design suitable for representative rooms. With its high efficacy long-life COB LED and modular design, Toob LED is the modern-day, enhanced continuation of our longtime favorite Toob&Tuub series.



TOOB LED

Power Supply: 220V - 240V

Life (L90, B10) : > 60,000h

Color Rendering Index: 80

Color Consistency: MacAdam step <3

Materials: Electrostatically painted aluminum profile, standard color in anthracite (special color on request). Translucent diffuser from opal matte plastics.

Dimension

H [mm]	F [mm]
200	80



Electric suspension



Empty module

Toob Empty Module

INFO	CODE	[kg]
400 mm	RAXX4088911	0,5
800 mm	RAXX4088916	0,9
1200 mm	RAXX4088921	1,2

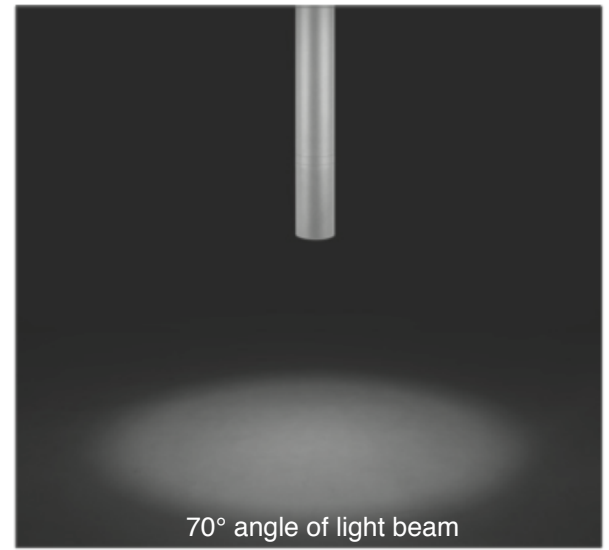
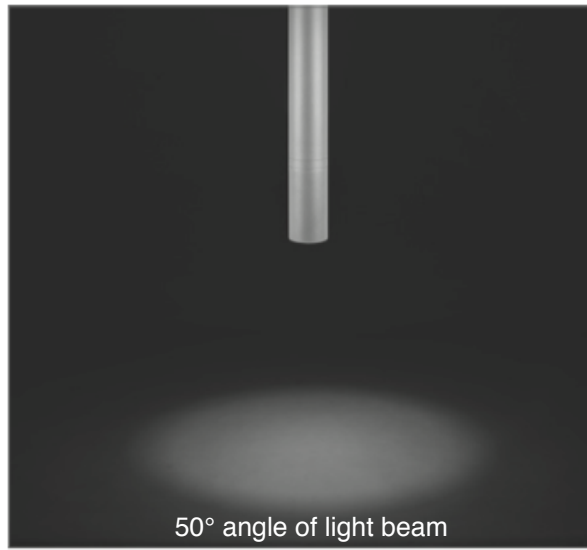
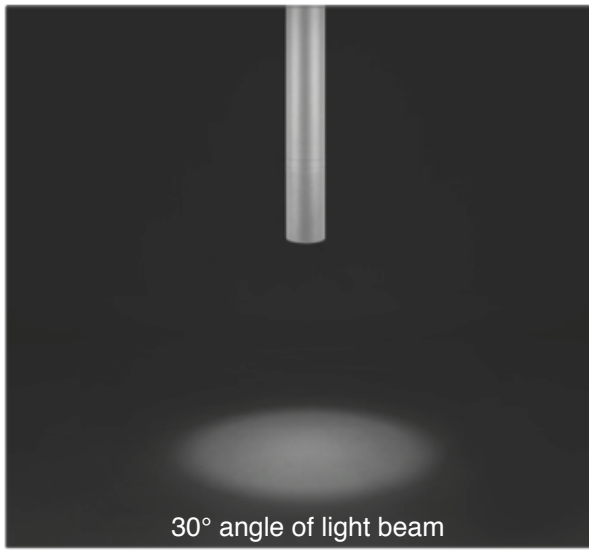
Ring 20 mm

Head of luminaire

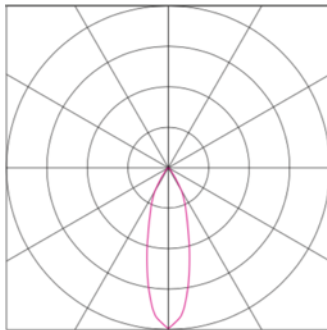


Reflectors

Available in three angles of light distribution:
30°, 50° and 70°

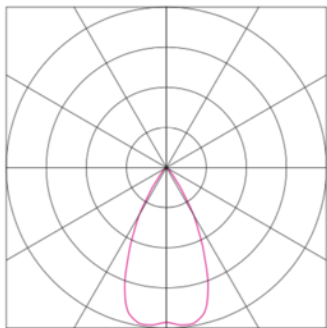


TOOB LED DI 30° ANGLE LIGHT BEAM



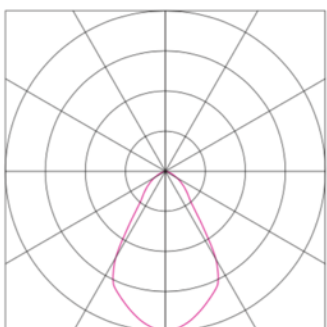
POWER	LAMP	LUMINAIRE'S LUMINOUS FLUX	LUMINAIRE'S EFFICACY	BEAM ANGLE [°]	CODE
15 W	LED 3000 K	1420 lm	95 lm /W	30	RAXX88801
15 W	LED 4000 K	1460 lm	97 lm /W	30	RAXX88816
21 W	LED 3000 K	1960 lm	93 lm /W	30	RAXX88831
21 W	LED 4000 K	2020 lm	96 lm /W	30	RAXX88846
29 W	LED 3000 K	2550 lm	88 lm /W	30	RAXX88861
29 W	LED 4000 K	2630 lm	91 lm /W	30	RAXX88876

TOOB LED DI 50° ANGLE LIGHT BEAM

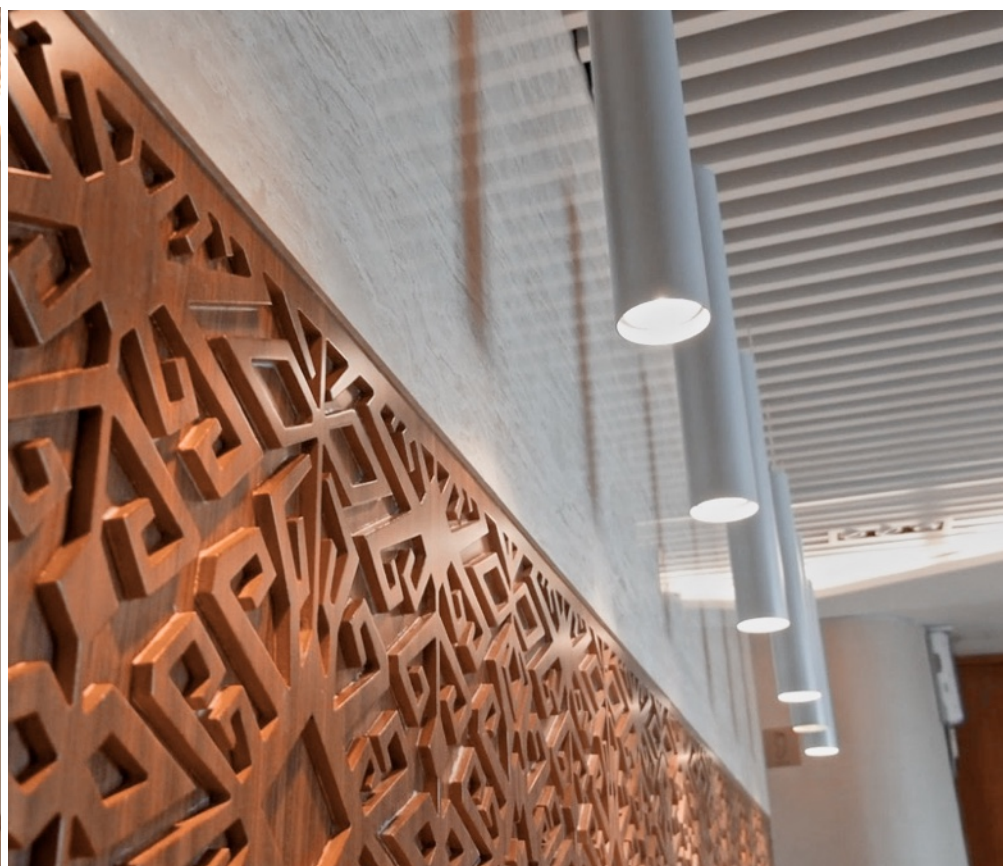
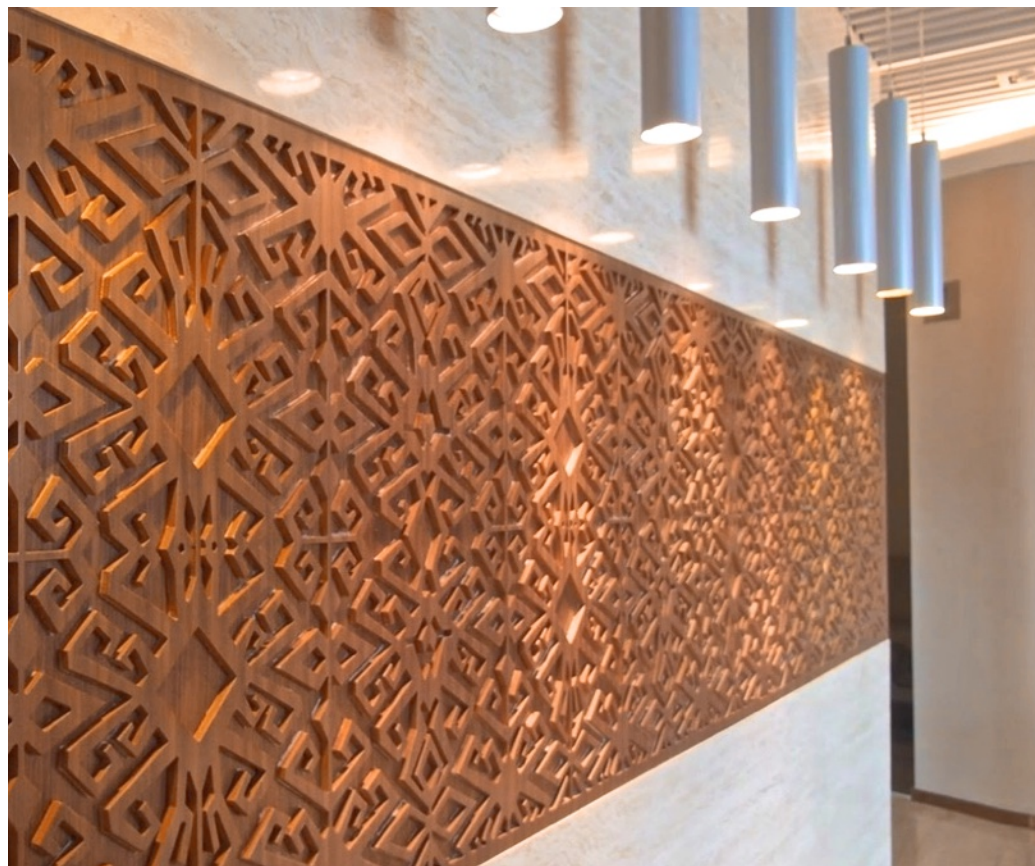


POWER	LAMP	LUMINAIRE'S LUMINOUS FLUX	LUMINAIRE'S EFFICACY	BEAM ANGLE [°]	CODE
15 W	LED 3000 K	1430 lm	95 lm /W	50	RAXX88806
15 W	LED 4000 K	1470 lm	98 lm /W	50	RAXX88821
21 W	LED 3000 K	1970 lm	94 lm /W	50	RAXX88836
21 W	LED 4000 K	2030 lm	97 lm /W	50	RAXX88851
29 W	LED 3000 K	2560 lm	88 lm /W	50	RAXX88866
29 W	LED 4000 K	2640 lm	91 lm /W	50	RAXX88881

TOOB LED DI 70° ANGLE LIGHT BEAM



POWER	LAMP	LUMINAIRE'S LUMINOUS FLUX	LUMINAIRE'S EFFICACY	BEAM ANGLE [°]	CODE
15 W	LED 3000 K	1330 lm	89 lm /W	70	RAXX88811
15 W	LED 4000 K	1370 lm	91 lm /W	70	RAXX88826
21 W	LED 3000 K	1830 lm	87 lm /W	70	RAXX88841
21 W	LED 4000 K	1890 lm	90 lm /W	70	RAXX88856
29 W	LED 3000 K	2390 lm	82 lm /W	70	RAXX88871
29 W	LED 4000 K	2460 lm	85 lm /W	70	RAXX88886





**Garuda Indonesia
Executive Lounge**

Left
Bandara Adi Sucipto, Surabaya

Right
Bandara Kuala Namu, Medan



PERFETTO - S

The sophisticated suspended version of the PERFETTO spotlight. With deeply-recessed optics and the standard snoot PERFETTO-S excels in anti-glare properties. Its design, featuring compact lines and an elegant cylindrical head, fits easily into a variety of contents, from retail to hospitality, to advanced residential.



PERFETTO - S

Power Supply : 220V - 240V

Life (L80, B10) : 50.000h

CRI : 85 and 90

Materials :

Body and canopy in die-cast aluminum polyester painted - ceiling fixing base in thermoplastic material.

Professional optics in mirror metallized thermoplastic material - Interior anti-glare cylinder in black thermoplastic material.

Suspension cable in black fabric, 2m length.

Optics Option

Perfetto-S, with high efficacy COB LED, can be customized with a range of accessories for enhanced visual comfort.



Ø 74

Professional
Optic Device **S**



Ø 41

Professional
Optic Device **M**

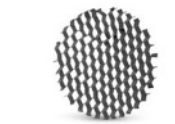


Ø 74

Professional
Optic Device **W**



Golden Snoot



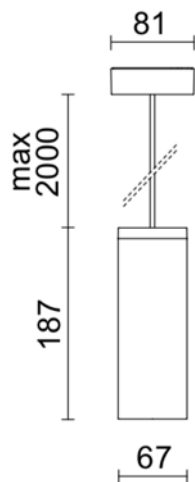
Ø 67

Honeycomb

PERFETTO - S RANGE



1 kg

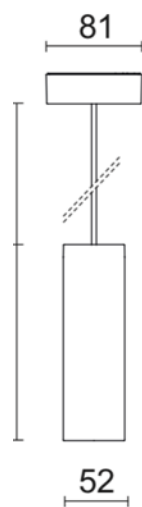


PERFETTO COMPACT - S DI

POWER	COLOR TEMPERATURE	LED LUMEN	PRODUCT LUMEN	CRI	BEAM ANGLE [°]	CODE
26	3000K	3125	2278	85	29	751-211
26	4000K	3200	2333	85	29	751-211A



0,5 kg

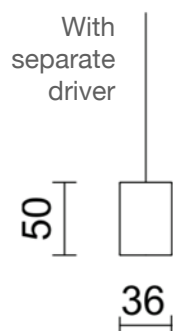


MINIPERFETTO - S DI

POWER	COLOR TEMPERATURE	LED LUMEN	PRODUCT LUMEN	CRI	BEAM ANGLE [°]	CODE
9	3000K	1170	972	90	30	748-219
12	3000K	1500	1247	90	30	748-119
12	2700K	1469	1221	90	30	748-119C



0,4 kg



NANOPERFETTO - S DI

POWER	COLOR TEMPERATURE	LED LUMEN	PRODUCT LUMEN	CRI	BEAM ANGLE [°]	CODE
3	3000K	350	315	90	34	752-219
6,5	3000K	650	-			
3	2700K	340	306	90	34	752-219C
6,5	2700K	620	-			





Images by
Studio IVELA, Italy



ICONICA

ICONICA features a pure and evocative design: The conical shape of the body, essential and elegant, is lined by four grooves, marking the connection between the volume of the cone and the cable in black fabric. The ceiling canopy has been designed as an inverted cone, symmetrically with the fitting. It is an innovative and miniaturized suspension lamp, with a high lighting performance using latest main voltage COB LED technology. It is ideal both as a single fitting and in composition with others - perfect match for retail, hospitality and for residential applications.



ICONICA

Power Supply : 220V - 240V

Life (L80, B10) : 50.000h

CRI : >80

Materials :

Body and canopy in die-cast aluminum polyester painted - Ceiling fixing base in thermoplastic material.

Ceiling fixing base in thermoplastic material.

Professional optics in mirror metallized thermoplastic material - Interior anti-glare cylinder in black thermoplastic material.

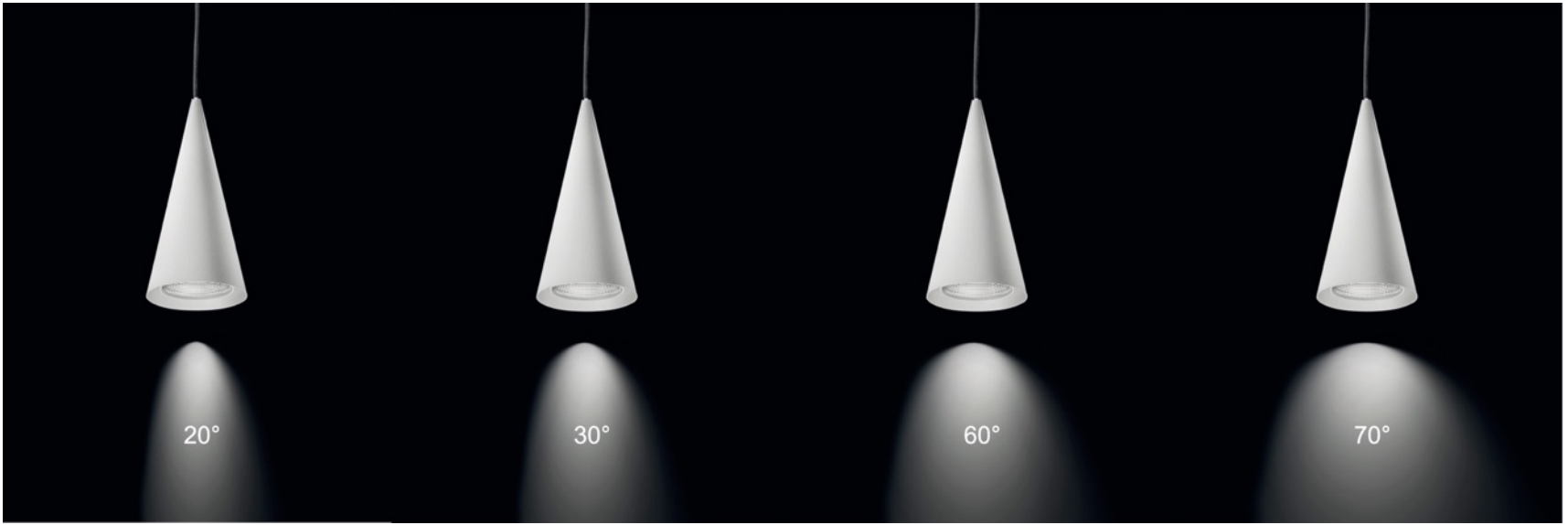
Suspension cable in black fabric, 2m length



Color Options

Iconica is available in four colors that highlight its personality

- matte white, giving smoothness to volumes,
- the elegance of black,
- the metallized effect of a chromed finishing,
- the innovative brushed copper.



ICONICA DI

POWER	COLOR TEMPERATURE	LED LUMEN	PRODUCT LUMEN	CRI	BEAM ANGLE [°]	CODE
9,5	3000K	1000	890	80	60	3920-01
19	3000K	2000	1780	80	60	3921-01

Optics Option

Iconica, with high efficacy COB LED, can be customized with a range of accessories for enhanced visual comfort.



Ø 74

Professional Optic Device **S**



Ø 41

Professional Optic Device **M**

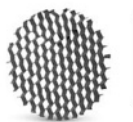


Ø 74

Professional Optic Device **W**

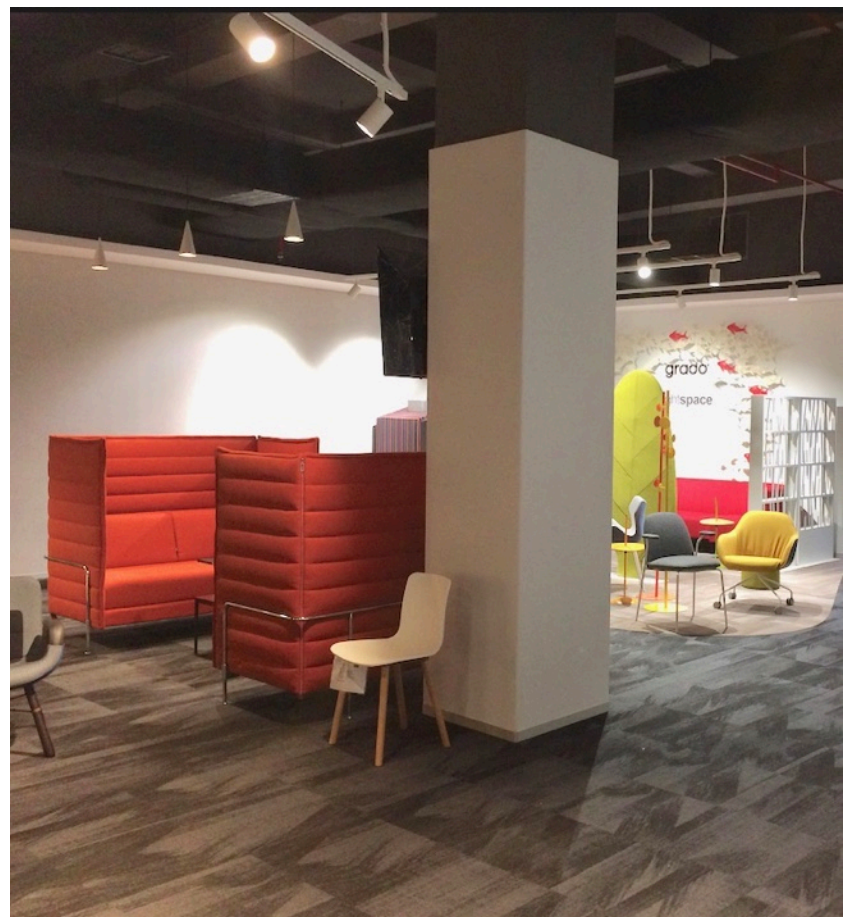


Golden Snoot



Ø 67

Honeycomb



Right
Vivere Showroom
 Jakarta Design Center, Jakarta



APLOMB 350

A suspended luminaire with high power COB LED capable of combining design elegance with high lighting performance. APLOMB 350 can be integrated in multiple environments, creating suggestive lighting effects. APLOMB 350 is ideal not only for showrooms, corridors, open spaces, offices, shops or home lighting, but it also meets the lighting requirements of large areas such as shopping centers, hotel halls and waiting rooms.



APLOMB 350

Power Supply : 220V - 240V

Life (B80, L10) : 50.000h

CRI : 80

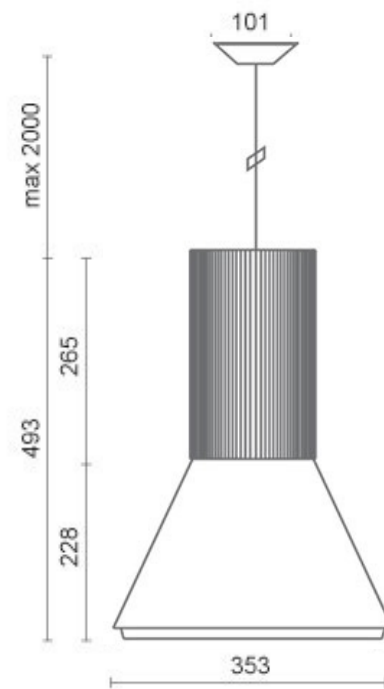
Materials:

Body and canopy in die-cast aluminum polyester painted in silver/metallized.

Ring in technopolymer.

Closing screen in 4mm tempered safety glass.

Diffuser in polycarbonate metal coated inside with external painting.



Installation Options

- suspended with supply cable and 2m steel wire.
- to three phase tracks with suitable adapters.

POWER	LED LUMEN	PRODUCT LUMEN	COLOR TEMPERATURE	BEAM ANGLE [°]	CODE
22 W	2000	1785	3000	80	406-011

Color Options





Maybank
Jakarta



ZEPPEL-IN

ZEPPEL-IN is suitable for installation in large areas such as commercial buildings, shops, warehouses, and display areas. Its classic and well-balanced design also makes it ideal for the illumination of private homes, lofts, and offices. Having a versatile E27 base it can be equipped with various LED and conventional light sources.



ZEPPEL-IN

Power Supply: 220V - 240V

IP Rating: IP 44

Materials:

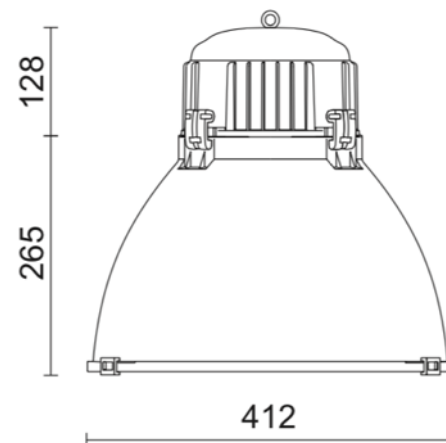
Housing in technopolymer.

Reflector in polycarbonate with translucent finish or metallized interior finish and silver external paint.





Safety screen in 4mm tempered glass, anti-glare shockproof and thermal resistant, fastened to the reflector by technopolymer clips.

Installation Options

- Suspension kit with translucent canopy, steel wire 2m.
- On three-phase tracks using the suitable adapter.



Color Options

	silver	black
Body		
	translucent	metallized
Reflector		

Light Source

CODE	Pmax	BASE	[kg]
439-011	LED 25W, FBT 23W, HE 100W	E27	3,2





SPOTLIGHTS

For more information :
info@ralum.biz | www.ralum.lighting

Ralum 
BECAUSE LIGHTING MATTERS



POINTA

Elegant yet robust spotlight designed especially for high performance LED COB CC systems. It can rotate up to 350° on the vertical axis and pivot up to 90° upwards. Special application light color properties available (Food / Fashion). Optimized high performance integrated power supply to provide for a flicker-free lighting ambience for enhanced shop/retail consumer experiences.



POINTA

Power supply : 220 V - 240 V

CRI : 80

Color Consistency : McAdam step < 3

Life (L90, B10) : > 60.000h

Luminaire's luminous efficiency : 69%

Materials : High quality aluminum body in powder painted white or black finish. Faceted reflectors in polycarbonate with mirror finish.

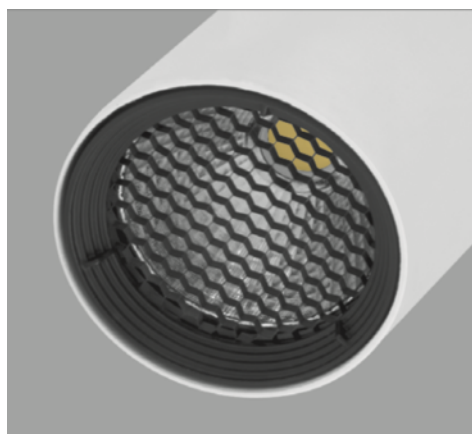
Installation : for electrical track (LKM) or as base mounted variant.

Options

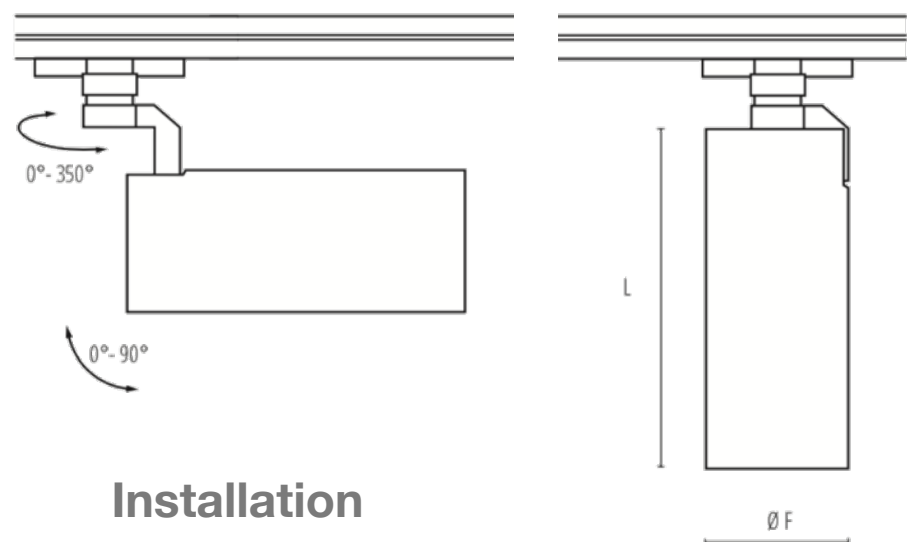
Honeycomb shutter as optional accessories to limit glare effect



Faceted reflector



Honeycomb shutter



Installation

Rotate up to 350° with respect to the vertical axis and pivot up to 90° upwards.

Dimension

H [mm]	F [mm]
180	80



Bottom
Dampier Office
Singapore



GENERAL WHITE

POWER	COLOR TEMPERATURE	LUMINAIRE'S LUMINOUS FLUX	LUMINAIRE'S EFFICACY	BEAM ANGLE [°]	CODE
15 W	3000 K	1320 lm	88 lm /W	20	RAXX89002
15 W	4000 K	1360 lm	91 lm /W	20	RAXX89023
15 W	3000 K	1300 lm	87 lm /W	45	RAXX89086
15 W	4000 K	1340 lm	89 lm /W	45	RAXX89107
21 W	3000 K	1810 lm	86 lm /W	20	RAXX89009
21 W	4000 K	1870 lm	89 lm /W	20	RAXX89030
21 W	3000 K	1770 lm	84 lm /W	45	RAXX89093
21 W	4000 K	1830 lm	87 lm /W	45	RAXX89114
29 W	3000 K	2460 lm	85 lm /W	20	RAXX89016
29 W	4000 K	2540 lm	88 lm /W	20	RAXX89037
29 W	3000 K	2410 lm	83 lm /W	45	RAXX89100
29 W	4000 K	2490 lm	86 lm /W	45	RAXX89121

SPECIFIC WHITE

INFO	POWER	LUMINAIRE'S LUMINOUS FLUX	LUMINAIRE'S EFFICACY	CRI	COLOR TEMPERATURE [K]	BEAM ANGLE [°]	CODE
GOLD + BREAD	15 W	820 lm	55 lm /W	86	-	20	RAXX89262
	21 W	1120 lm	53 lm /W	86	-	20	RAXX89264
	29 W	1530 lm	53 lm /W	86	-	20	RAXX89266
	15 W	810 lm	54 lm /W	86	-	45	RAXX89292
	21 W	1100 lm	52 lm /W	86	-	45	RAXX89294
	29 W	1510 lm	52 lm /W	86	-	45	RAXX89296
GOLD, RED AND ORANGE GREENS	15 W	1150 lm	77 lm /W	92	2700 K	20	RAXX89268
	21 W	1570 lm	75 lm /W	92	2700 K	20	RAXX89270
	29 W	2140 lm	74 lm /W	92	2700 K	20	RAXX89272
	15 W	1140 lm	76 lm /W	92	2700 K	45	RAXX89298
	21 W	1550 lm	74 lm /W	92	2700 K	45	RAXX89300
	29 W	2110 lm	73 lm /W	92	2700 K	45	RAXX89302
MEAT	15 W	820 lm	55 lm /W	82	-	20	RAXX89274
	21 W	1120 lm	53 lm /W	82	-	20	RAXX89276
	29 W	1520 lm	52 lm /W	82	-	20	RAXX89278
	15 W	810 lm	54 lm /W	82	-	45	RAXX89304
	21 W	1100 lm	52 lm /W	82	-	45	RAXX89306
	29 W	1500 lm	52 lm /W	82	-	45	RAXX89308
FASHION	15 W	1180 lm	79 lm /W	96	-	20	RAXX89280
	21 W	1610 lm	77 lm /W	96	-	20	RAXX89282
	29 W	2190 lm	76 lm /W	96	-	20	RAXX89284
	15 W	1160 lm	77 lm /W	96	-	45	RAXX89310
	21 W	1580 lm	75 lm /W	96	-	45	RAXX89312
	29 W	2160 lm	74 lm /W	96	-	45	RAXX89314
FISH	15 W	1280 lm	85 lm /W	93	-	20	RAXX89286
	21 W	1740 lm	83 lm /W	93	-	20	RAXX89288
	29 W	2370 lm	82 lm /W	93	-	20	RAXX89290
	15 W	1260 lm	84 lm /W	93	-	45	RAXX89316
	21 W	1710 lm	81 lm /W	93	-	45	RAXX89318
	29 W	2330 lm	80 lm /W	93	-	45	RAXX89320



GENERAL BLACK

POWER	COLOR TEMPERATURE	LUMINAIRE'S LUMINOUS FLUX	LUMINAIRE'S EFFICACY	BEAM ANGLE [°]	CODE
15 W	3000 K	1320 lm	88 lm /W	20	RAXX89128
15 W	4000 K	1360 lm	91 lm /W	20	RAXX89149
15 W	3000 K	1300 lm	87 lm /W	45	RAXX89212
15 W	4000 K	1340 lm	89 lm /W	45	RAXX89233
21 W	3000 K	1810 lm	86 lm /W	20	RAXX89135
21 W	4000 K	1870 lm	89 lm /W	20	RAXX89156
21 W	3000 K	1770 lm	84 lm /W	45	RAXX89219
21 W	4000 K	1830 lm	87 lm /W	45	RAXX89240
29 W	3000 K	2460 lm	85 lm /W	20	RAXX89142
29 W	4000 K	2540 lm	88 lm /W	20	RAXX89163
29 W	3000 K	2410 lm	83 lm /W	45	RAXX89226
29 W	4000 K	2490 lm	86 lm /W	45	RAXX89247

SPECIFIC BLACK

INFO	POWER	LUMINAIRE'S LUMINOUS FLUX	LUMINAIRE'S EFFICACY	CRI	COLOR TEMPERATURE [K]	BEAM ANGLE [°]	CODE
GOLD + BREAD	15 W	820 lm	55 lm /W	86	-	20	RAXX89322
	21 W	1120 lm	53 lm /W	86	-	20	RAXX89324
	29 W	1530 lm	53 lm /W	86	-	20	RAXX89326
	15 W	810 lm	54 lm /W	86	-	45	RAXX89352
	21 W	1100 lm	52 lm /W	86	-	45	RAXX89354
	29 W	1510 lm	52 lm /W	86	-	45	RAXX89356
GOLD, RED AND ORANGE GREENS	15 W	1150 lm	77 lm /W	92	2700 K	20	RAXX89328
	21 W	1570 lm	75 lm /W	92	2700 K	20	RAXX89330
	29 W	2140 lm	74 lm /W	92	2700 K	20	RAXX89332
	15 W	1140 lm	76 lm /W	92	2700 K	45	RAXX89358
	21 W	1550 lm	74 lm /W	92	2700 K	45	RAXX89360
	29 W	2110 lm	73 lm /W	92	2700 K	45	RAXX89362
MEAT	15 W	820 lm	55 lm /W	82	-	20	RAXX89334
	21 W	1120 lm	53 lm /W	82	-	20	RAXX89336
	29 W	1520 lm	52 lm /W	82	-	20	RAXX89338
	15 W	810 lm	54 lm /W	82	-	45	RAXX89364
	21 W	1100 lm	52 lm /W	82	-	45	RAXX89366
	29 W	1500 lm	52 lm /W	82	-	45	RAXX89368
FASHION	15 W	1180 lm	79 lm /W	96	-	20	RAXX89340
	21 W	1610 lm	77 lm /W	96	-	20	RAXX89342
	29 W	2190 lm	76 lm /W	96	-	20	RAXX89344
	15 W	1160 lm	77 lm /W	96	-	45	RAXX89370
	21 W	1580 lm	75 lm /W	96	-	45	RAXX89372
	29 W	2160 lm	74 lm /W	96	-	45	RAXX89374
FISH	15 W	1280 lm	85 lm /W	93	-	20	RAXX89346
	21 W	1740 lm	83 lm /W	93	-	20	RAXX89348
	29 W	2370 lm	82 lm /W	93	-	20	RAXX89350
	15 W	1260 lm	84 lm /W	93	-	45	RAXX89376
	21 W	1710 lm	81 lm /W	93	-	45	RAXX89378
	29 W	2330 lm	80 lm /W	93	-	45	RAXX89380



PERFETTO

Range of compact spotlights for LKM 3-phase electrified tracks, featuring simple and elegant lines and equipped with the latest high efficacy COB LEDs. Also available with base for wall/ceiling applications and supplied with different light beams, interchangeable and easy to be replaced without tools. Adjustable up to 350°, PERFETTO is a truly versatile solution for shops, stores, museums and exhibition areas.



PERFETTO

Power supply : 220 V - 240 V

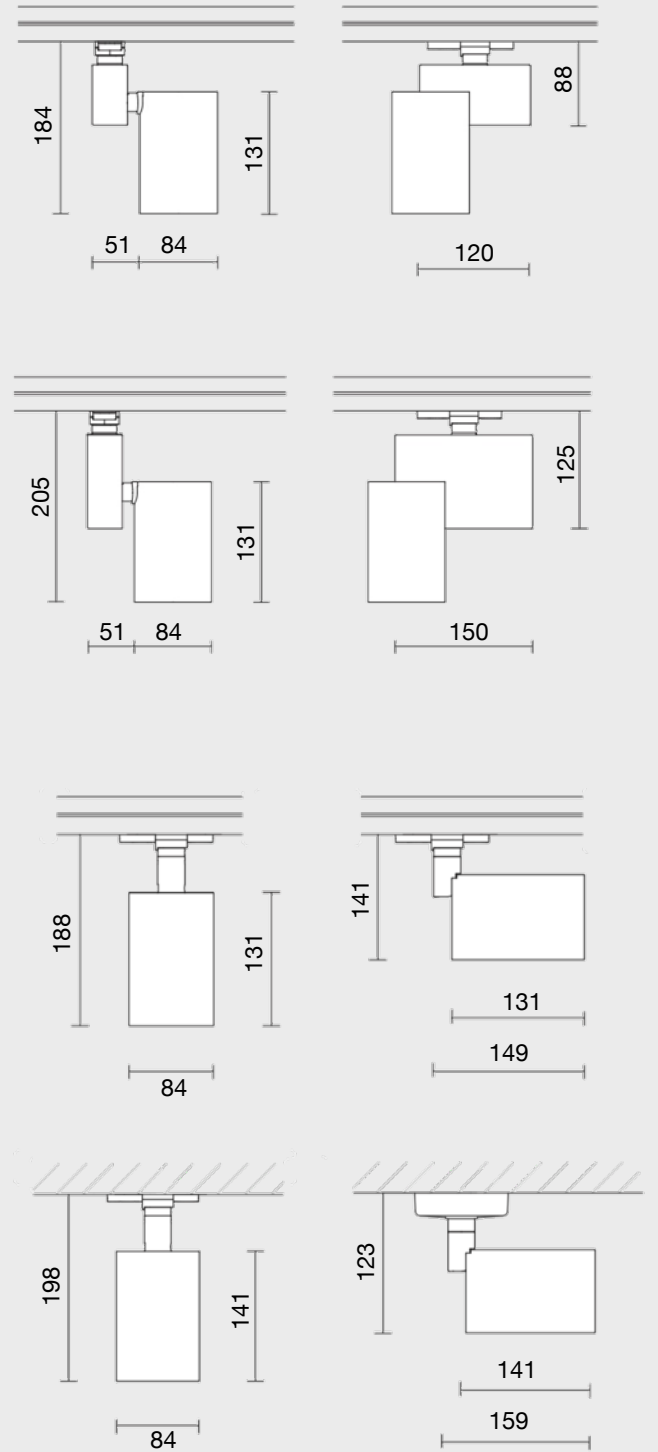
Life (L80, B10) : > 50.000h

Color Rendering Index : 80 up to 90

UGR : <19

Materials : Body and gear box in die-cast aluminum, polyester painted.

Professional optics in mirror metallized thermoplastic material.



Rotation

Perfetto rotates up to 355° with respect to the vertical axis and pivot up to 90° upwards.

Color Options



PERFETTO

POWER	COLOR TEMPERATURE	LUMINAIRE'S LUMINOUS FLUX	CRI	BEAM ANGLE [°]	WEIGHT [kg]	CODE
26 W	3000 K	3100 lm	85	25	1,7	IV743-161
26 W	4000 K	3250 lm	85	25	1,7	IV743-161A
33 W	3000 K	4000 lm	90	30	1,7	IV743-269
43 W	3000 K	5550 lm	85	30	1,7	IV743-461
43 W	4000 K	5650 lm	85	30	1,7	IV743-461A

version with DALI driver

43 W with DALI driver	3000 K	4500 lm	90	30	1,8	IV743-469
-----------------------	--------	---------	----	----	-----	-----------

PERFETTO 230

version for electrical tracks

POWER	COLOR TEMPERATURE	LUMINAIRE'S LUMINOUS FLUX	CRI	BEAM ANGLE [°]	WEIGHT [kg]	CODE
19 W	3000 K	1780 lm	80	38	1,4	IV742-161
19 W	4000 K	1780 lm	80	38	1,4	IV742-161A
33 W	3000 K	2670 lm	80	38	1,4	IV742-261
33 W	4000 K	2670 lm	80	38	1,4	IV742-261A

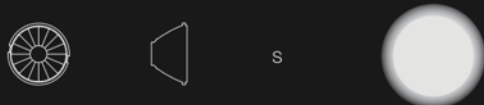
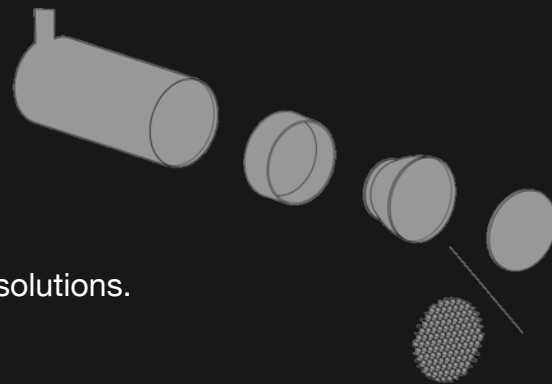
version with base

19 W	3000 K	2000 lm	80	38	1,5	IV742-121
19 W	4000 K	2000 lm	80	38	1,5	IV742-121A

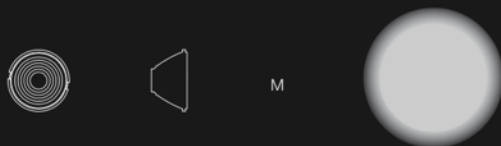


Optical Accessories

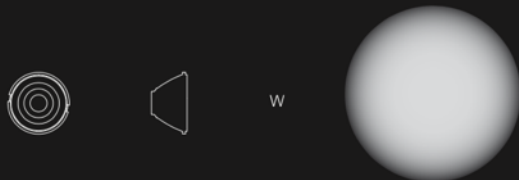
Wide options of optical accessories allowing for tailored lighting solutions.



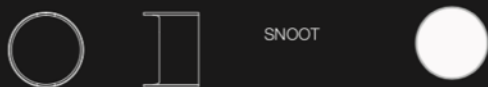
Mirror metallized optic device for small beam angle, for accent light.



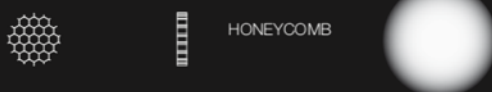
Mirror metallized optic device for medium beam angle, useful for every typology of retail.



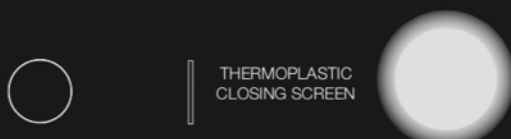
Mirror metallized optic device for wide beam angle, for direct lighting without sharp shadows.



Cylinder that reduces direct glare angle and allows to use a thorough range of accessories, perfect for spot light and contrast effects.

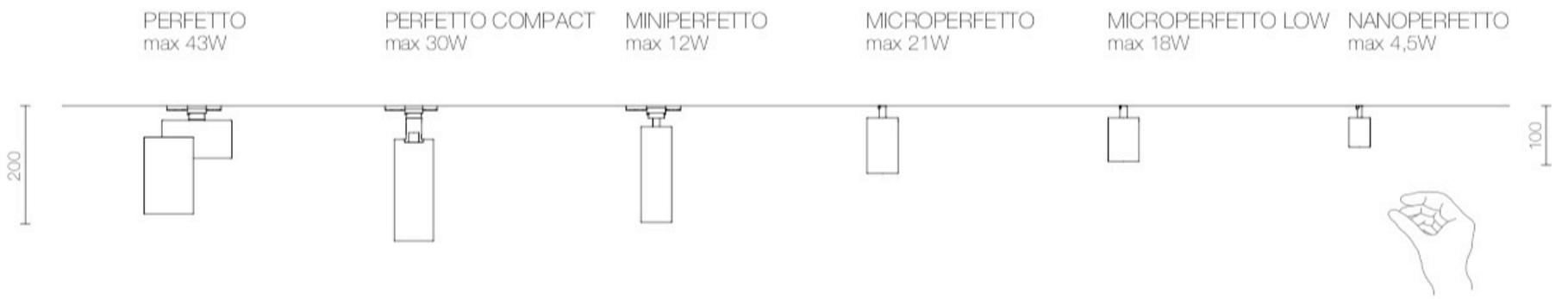


Honeycomb for total glare control.



Screen to protect the light source.

PERFETTO Range



Perfetto



Perfetto Compact



**Miniperfetto
LKM**



Microperfetto



Nanoperfetto



Perfetto 230



**Perfetto Compact
XS**



**Miniperfetto
MM**



**Microperfetto
Low**



**Perfetto 230
Base**



**Miniperfetto
Base**



Top
Zenith showroom,
Singapore

Top right
Facebook Office
Seoul

Right
Vivere Showroom, Jakarta Design Center
Jakarta





ELECTRIFIED TRACKS

The electrified track range includes dimmable, three-phase, single-phase and low voltage tracks, able to fit with different lighting demands in a flexible way.

Tracks are designed to be easily installed on the ceiling, on the wall or recessed, for use with spotlights or with suspended fittings.

An easy and quick installation allows to change the lighting layout at any time, avoiding expensive works, to provide dynamic solutions for the needs of different spaces.



SINGLE PHASE MM (MONOPHASE)

Mini Main is a single-phase, single switched electrified track system. Available in round design with three colors options of white, black and satin silver. Compatible with many options of Ralum spotlights. An easy and quick installation allows to change the lighting layout at any time, avoiding expensive works, providing for dynamic adaptations into different user demands.



SINGLE PHASE DKM (Dimmable Kit Main)

The 1-phase dimmable recessed track operates through a + / - polarized signal to manage a wide range of applications in the field of light planning.

Remote light control for the variation of the light intensity of each fitting in an independent way allows both a high level of customization and the right emphasis in exhibition areas. Light control systems make it possible to achieve real improvements in terms of energetic efficiency and to create scenic effects with light for different



3-PHASE LKM (Light Kit Main)

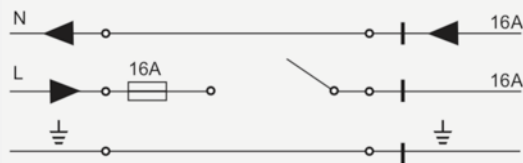
A three-phase track system with three separate circuits. Available in three different designs (round, square or recessed) make the system highly versatile for a wide range of applications. The possibility of positioning the fittings in various design schemes, without having to modify the original installation meets many environment's lighting requirements. The track allows for an easy 3-channel switchable grouping of luminaires.



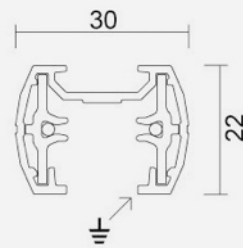
MM Tracks

Voltage: 220 - 240V

Total current load: 16A

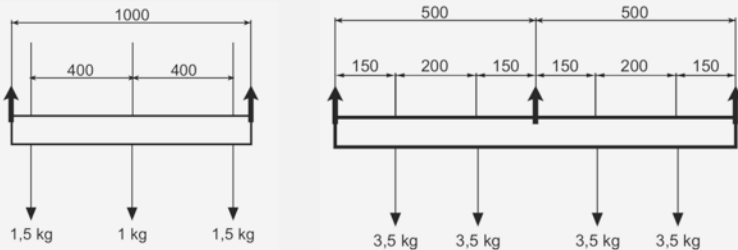


Materials: Extruded aluminum alloy in polyester painted or anodized. The copper electrical wires are located inside extruded PVC sheets within the track



Load capacity:

4kg every 1000mm. For a 7kg load, a maximum fixing distance of 500mm is recommended



Available Variants

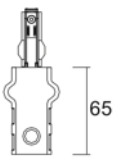
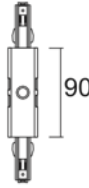
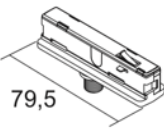
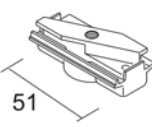
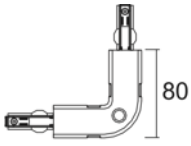




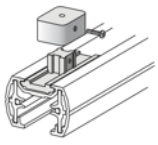

The single phase track has a round profile and is available in

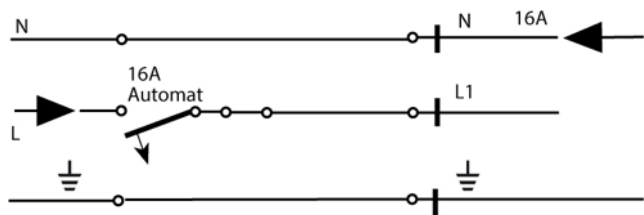
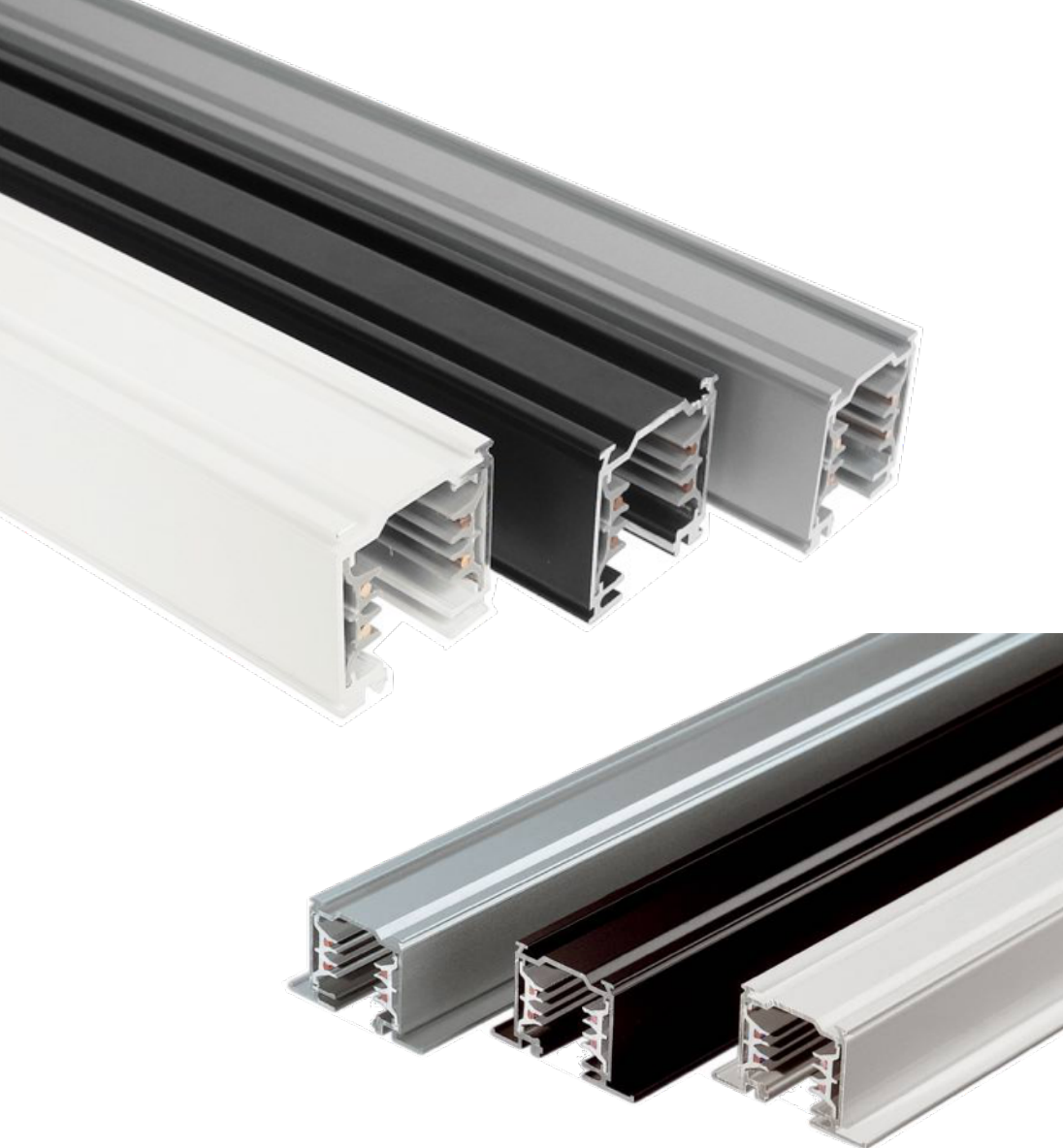
4 different lengths and 3 color options: Black, white and satin silver.

CODE	LENGTH [mm]	COLOR
7701-10	1000	■ □ ▫
7701-15	1500	■ □ ▫
7701-20	2000	■ □ ▫
7501-30	3000	■ □ ▫

Accessories

Accessories for MM, available in 3 option of colors

	Live-end	7802-00-W
	Central connector	7803-00-W
	Electro/mechanical adapter 6A, load 5kg	7800-00
	Mechanical adapter	7825-00
	L joint	7805-00-W
	Flexible joint	7810-00-W
	Electrical straight joint	7804-00-W
	Mechanical joint	7819-00-W
	Suspension kit with steel wire mm 2000 and mm 56 plate	7806-00
	Wall/ceiling pair	7807-02-W
	Dead end	7823-00-W



Available Variants

The 1-phase dimmable DKM track is available in 2 designs: Square shaped for installation on the ceiling or on the wall and recessed. The recessed DKM track is supplied with two side wings, to allow installation into false ceilings and panels.

Available in 4 different lengths and 3 colors options: Black, white and satin silver.

CODE	LENGTH [mm]	COLOR
7520-10	1000	■ □ ◻
7520-20	2000	■ □ ◻
7520-30	3000	■ □ ◻
7520-40	4000	■ □ ◻

DKM Tracks

Voltage: 220 - 240V

Total current load: 16A

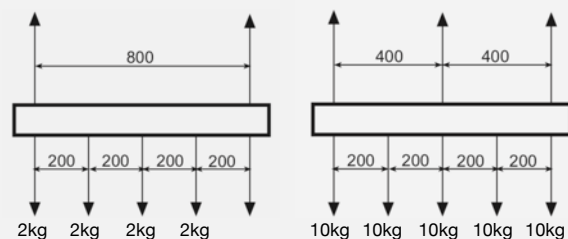
Dimming : DALI, DMX, 1-10V
(requires the use of the specific dimmable adapter)

Materials: extruded aluminum alloy. The copper wires are located inside extruded profiles in PVC, with high insulating properties.

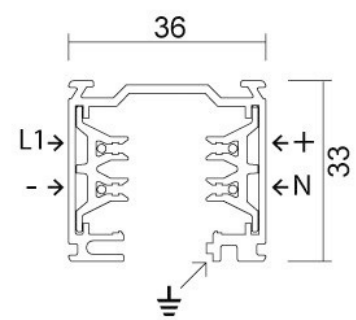
Load capacity:

2kg every 200mm, with a maximum distance of 800mm between the fixing points.

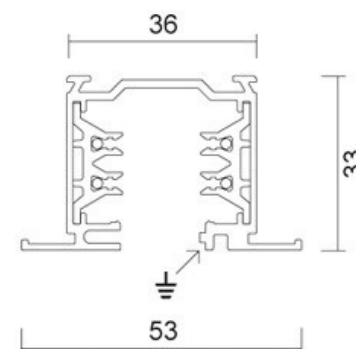
For a 10kg load every 200mm, a maximum fixing distance of 400 mm is recommended.



SQUARE CODE 7520

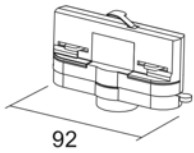
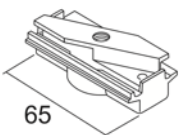
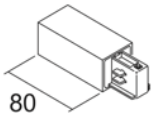
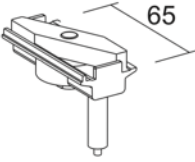

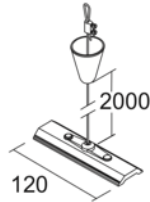
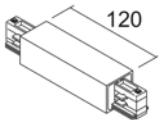
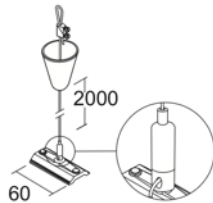
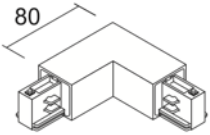
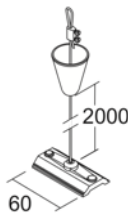
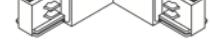
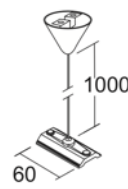
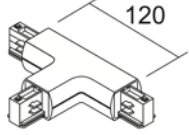
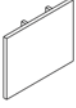
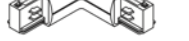
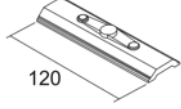
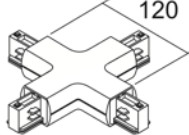
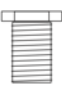
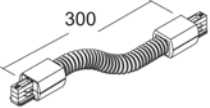
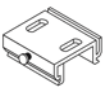
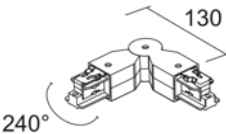
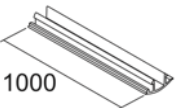
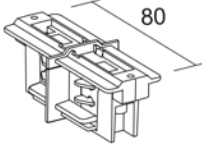
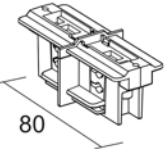


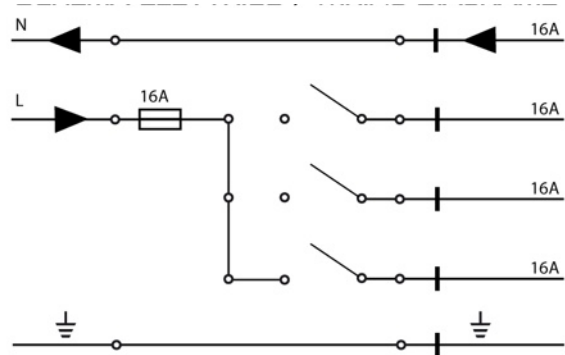
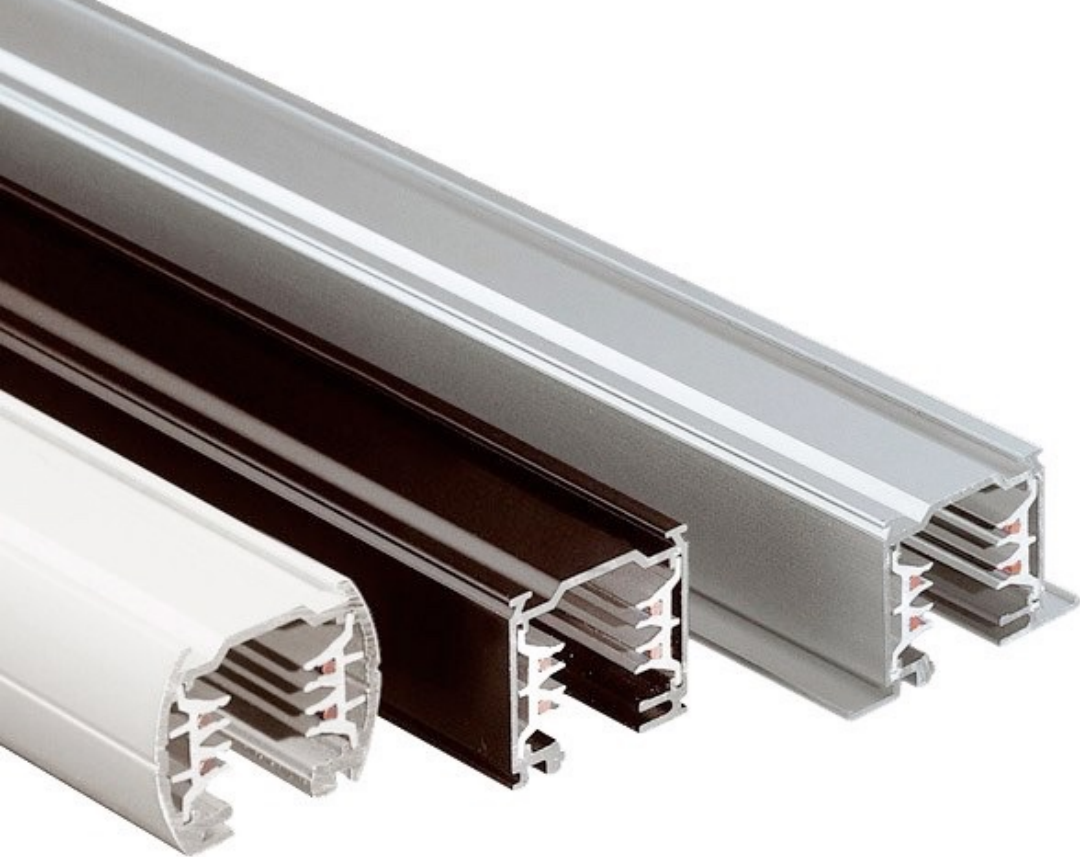
RECESSED CODE 7521



Accessories

Accessories for DKM, available in 3 option of colors and in square and recessed design

	Electro/mechanical adapter 6A, load 10kg	7559-00		Mechanical adapter with automatic locking	7618-00
	Right live-end	7651-10-W		Mechanical adapter with hook	7617-00
	Left live-end	7651-11-W		Suspension kit with steel wire mm 2000 and mm 120 plate	7606-05
	Central connector and straight joint	7661-10-W		Suspension kit with steel wire mm 2000, mm 60 plate and automatic locking device	7606-06
	Inside L joint	7605-10-W		Suspension kit with steel wire mm 2000 and mm 60 plate	7606-00
	Outside L joint	7605-11-W		Suspension kit with pipe mm 1000 and translucent ceiling base	7626-00-00
	Right T joint	7621-10-W		Dead end	7659-00-W
	Left T joint	7621-11-W		Plate mm 120	7606-04-00
	X joint	7622-10-W		Nut for electro/mechanical adapter M10x1	7609-00-00
	Flexible joint	7610-10-W		Ceiling kit	7607-00-00
	Mobile joint	7660-00-W		Track cover mm 1000	7624-00
	Electrical straight joint with stop	7604Q-10-W			
	Mechanical straight joint with stop	7654-10-W			



LKM Tracks

Voltage: 220 - 240V

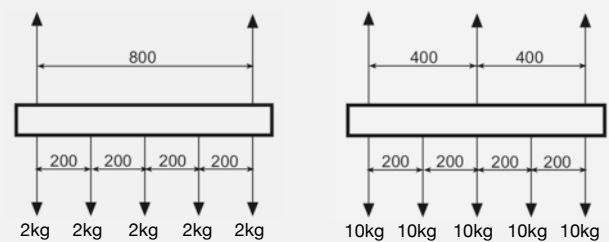
Total current load: 16A

Materials: Extruded aluminum alloy. The copper wires are located inside extruded profiles in PVC, with high insulating properties.

Load capacity:

2kg every 200mm, with a maximum distance of 800mm between the fixing points.

For a 10kg load every 200mm, a maximum fixing distance of 400 mm is recommended.

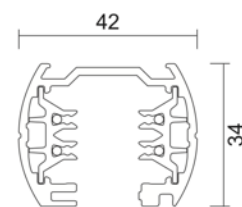


Available Variants

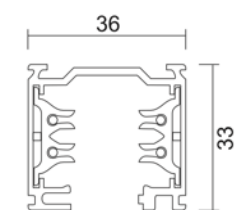
The three-phase LKM track is available in 3 designs: Round or square shaped for installation on the ceiling or wall, and recessed. The recessed three-phase LKM track is supplied with two side wings, to allow installation into false ceilings and panels.

Available in 4 different lengths and 3 color options: Black, white and satin silver.

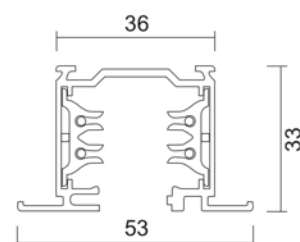
CODE	LENGTH [mm]	WEIGHT [kg]	COLOR
7501-10	1000	1,2	Black, White, Silver
7501-20	2000	2,5	Black, White, Silver
7501-30	3000	4,0	Black, White, Silver
7501-40	4000	5,35	Black, White, Silver



ROUND
CODE 7501



SQUARE
CODE 7511

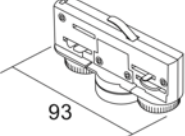
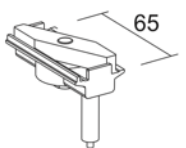
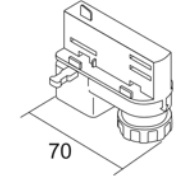
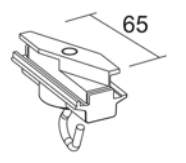
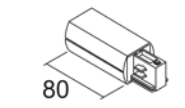
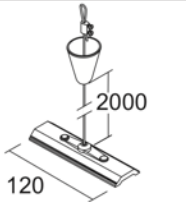
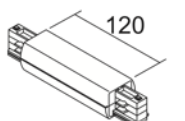
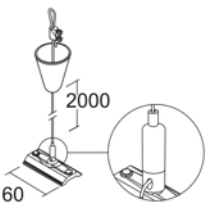
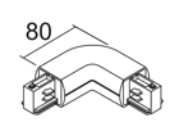
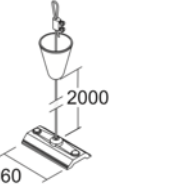
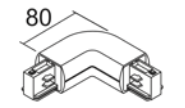
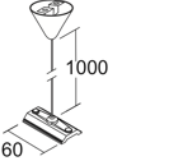
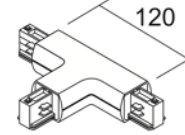

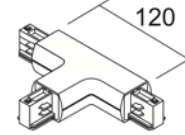
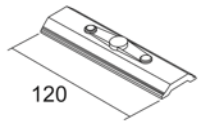
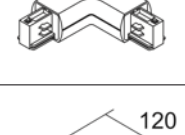

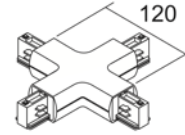
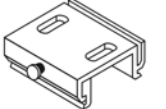
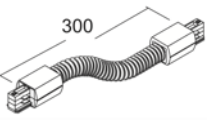
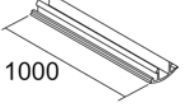
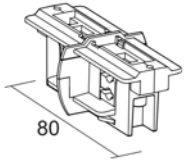
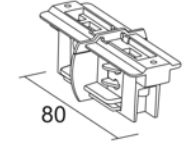
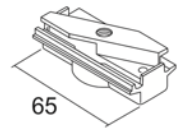


RECESSED
CODE 7512

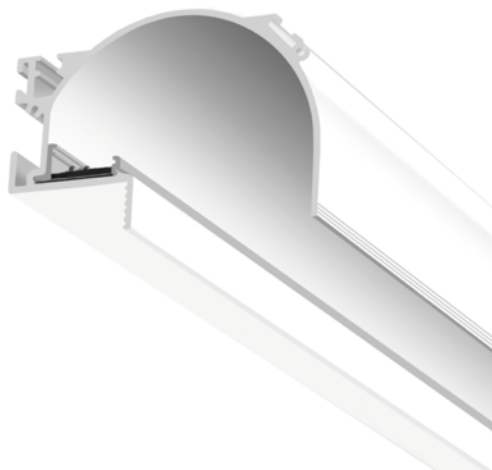
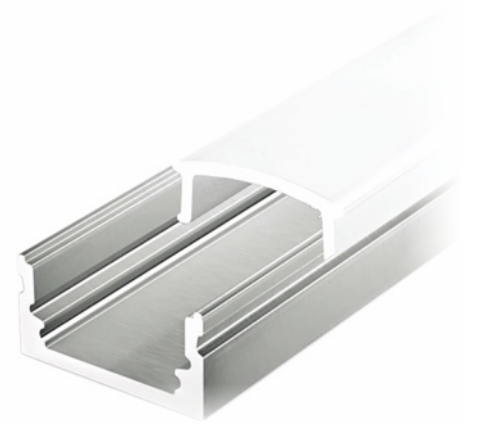


Accessories

Accessories for LKM, available in 3 option of colors and in round, square and recessed design.

	Electro/mechanical adapter 6A, load 10kg	7600-00		Mechanical adapter with automatic locking	7618-00
	Electro/mechanical adapter 6A, load 5kg	7601-00-W		Mechanical adapter with hook	7617-00
	Right live-end	7602-10-W		Suspension kit with steel wire mm 2000 and mm 120 plate	7606-05
	Left live-end	7602-11-W		Suspension kit with steel wire mm 2000, mm 60 plate and automatic locking device	7606-05
	Central connector and straight joint	7603-10-W		Suspension kit with steel wire mm 2000 and mm 60 plate	7606-00
	Inside L joint	7605-10-W		Suspension kit with pipe mm 1000 and translucent ceiling base	7626-00-00
	Outside L joint	7605-11-W		Dead end	7623-00-W
	Right T joint	7621-10-W		Plate mm 120	7606-04-00
	Left T joint	7621-11-W		Nut for electro/mechanical adapter M10x1	7609-00-00
	X joint	7622-10-W		Ceiling kit	7607-00-00
	Flexible joint	7610-10-W		Track cover mm 1000	7624-00
	Mechanical straight joint with stop	7619-10-W			
	Electrical straight joint with stop	7604T-10-W			
	Mechanical adapter	7625-00			

TROFFER LIGHTS, COVE & PROFILES



For more information :
info@ralum.biz | www.ralum.lighting

Ralum 
BECAUSE LIGHTING MATTERS



SUN - RA

Modern luminaire designed for LED light sources of high lighting efficacy. SUN-RA has an aesthetic appeal, it is easy and quick in installation and also connects high lighting performance with low level of Unified Glare Rating (UGR). Product is designed for offices, conference rooms and passageways, suitable for VCR.



SUN - RA

Power supply: 220 V - 240 V

Life (B10, L90): > 54.000 h

Color Rendering Index : 80

Color Consistency : MacAdam step <3

Dimming : DALI

Materials: Steel housing, electrostatically painted in white, other RAL colors on request.

Equipped with **high-quality system** that prevents overload, overheat and short circuits.

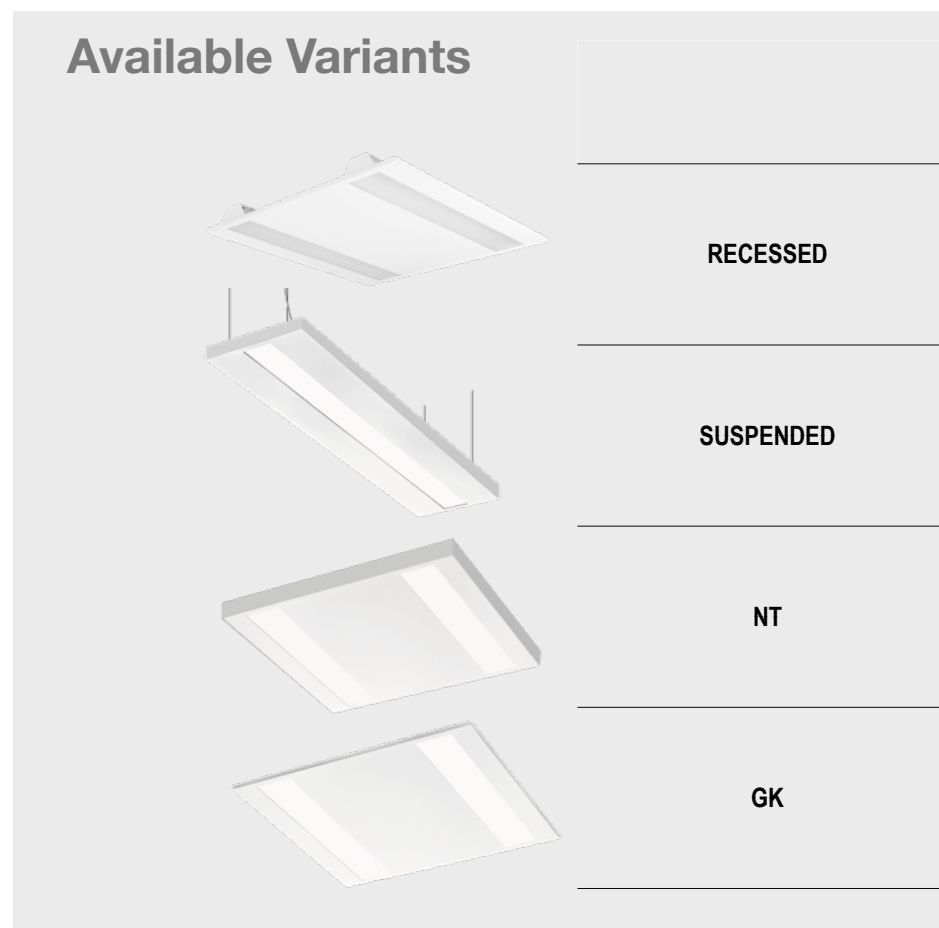
Microprismatic diffuser (MPRM) provide pleasant light distribution.



Installation Options

- in modular ceilings with visible grid.
- into plaster-cardboard ceiling.
- suspended.
- surface mounted.

Available Variants

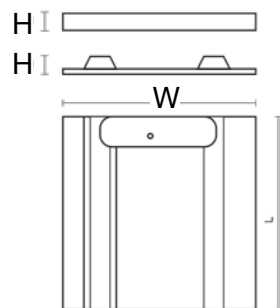




SIZE (L X W X H)	LED MODULES	POWER	COLOR TEMPERATURE	LUMINAIRE'S LUMINOUS FLUX	LUMINAIRE'S EFFICACY	WEIGHT [kg]	IP RATING	CODE
600 X 600 X 47	2	30 W	3000 K	3610 lm	120 lm /W	4,3	IP 44	RAXX 65501
	2	30 W	4000 K	3680 lm	123 lm /W	4,3		RAXX 65508
1200 X 300 X 47	1	30 W	3000 K	3670 lm	122 lm /W	4,4		RAXX 65515
	1	30 W	4000 K	3760 lm	125 lm /W	4,4		RAXX 65522
600 X 600 X 60	2	30 W	3000 K	3610 lm	120 lm /W	4,3	IP 40	RAXX 65529
	2	30 W	4000 K	3680 lm	123 lm /W	4,3		RAXX 65536
1200 X 300 X 60	1	30 W	3000 K	3670 lm	122 lm /W	4,4		RAXX 65543
	1	30 W	4000 K	3760 lm	125 lm /W	4,4		RAXX 65550
623 X 623 X 60	2	30 W	3000 K	3610 lm	120 lm /W	7,4		RAXX 65669
	2	30 W	4000 K	3680 lm	123 lm /W	7,4		RAXX 65676
1225 X 300 X 60	1	30 W	3000 K	3670 lm	122 lm /W	7,4		RAXX 65683
	1	30 W	4000 K	3760 lm	125 lm /W	7,4		RAXX 65690
621 X 621 X 57	2	30 W	3000 K	3610 lm	120 lm /W	5,0	IP 20	RAXX 65901
	2	30 W	4000 K	3680 lm	123 lm /W	5,0	↓	RAXX 65908
1245 X 310 X 57	1	30 W	3000 K	3670 lm	122 lm /W	5,3	↑	RAXX 65915
	1	30 W	4000 K	3760 lm	125 lm /W	5,3	IP 44	RAXX 65922

Shape

Square or rectangular version



LED COVE AND PROFILES

Cove and profiles for LED strip mounting designed for specific applications for better light distribution and homogenous light lines.



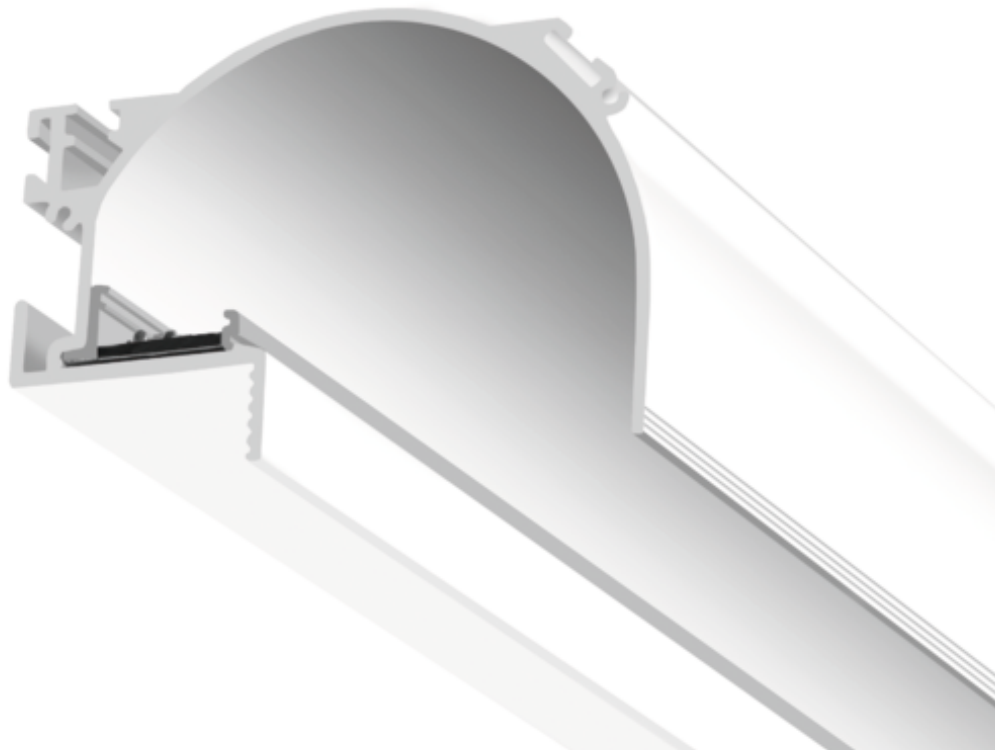
CHANNEL

Aluminum profile for a perfect straight cove illumination forming a homogenous light line. Installed into plaster-cardboard ceiling or into the wall suitable for application in hallway, lobby reception and various display areas.

LED PROFILES

Extruded anodized aluminum alloy profile ideal for LED strip mounting, each profile designed for a specific application; surface, recessed or corner





CHANNEL LED

Materials:

Profile electrostatically painted trimless aluminum profile in standard color white

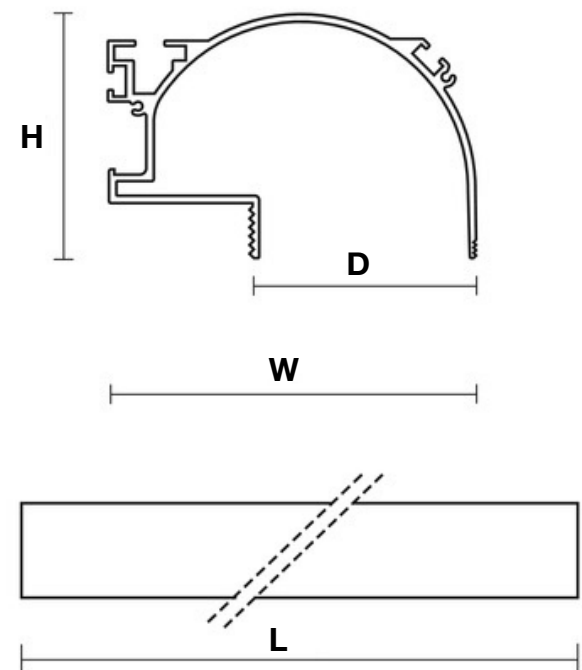
Diffusers in transparent plastic

To be used with suitable accessories

Accessories: LED strips, outward and angled joining (vertical and horizontal), driver's enclosure, joining kit, end-caps set, mounting brackets set (type X, Y, Z), drivers, RGB LED Controller

CODE	L [mm]	W [mm]	H [mm]	C [mm]	D [mm]
RAXX90801	440	84	56	440	51
RAXX90808	980	84	56	980	51
RAXX90815	2000	84	56	2000	51
RAXX90822	3020	84	56	3020	51

L = Length | **W** = Width | **H** = Height / Depth
C = Installation length | **D** = Installation width



Available Variants

The table showcases the power and lumen outputs equipped with LED strip RAXX90836. Photometric data for the other LED strips will have lower lumen output values.

	Luminaire Power	Light Source Power	Light Source Luminous Flux	Light Source Luminous Flux	Luminaire's Luminous Efficiency	Weight [kg]
RAXX90801	12,6 W	1x8,4W	1010 lm	600 lm	48 lm/W	0,80
RAXX90808	23,4 W	1x19,2W	2300 lm	1380 lm	59 lm/W	1,7
RAXX90815	43,8 W	1x39,6W	4750 lm	2860 lm	65 lm/W	3,2
RAXX90822	64,2 W	1x60W	7200 lm	4320 lm	67 lm/W	4,6

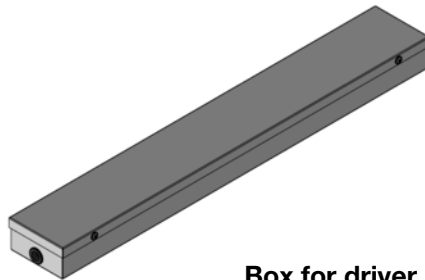
Accessories



LED STRIP	INFO
RAXX90838	RGB
RAXX90825	1200lm/m 6m 3000K
RAXX90829	1200lm/m 6m 4000K
RAXX90827	2400lm/m 3m 3000K
RAXX90836	2400lm/m 3m 4000K

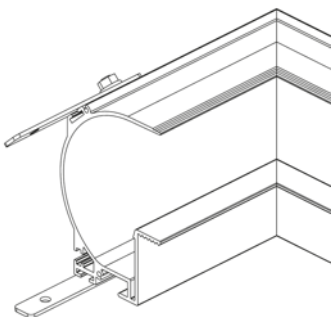
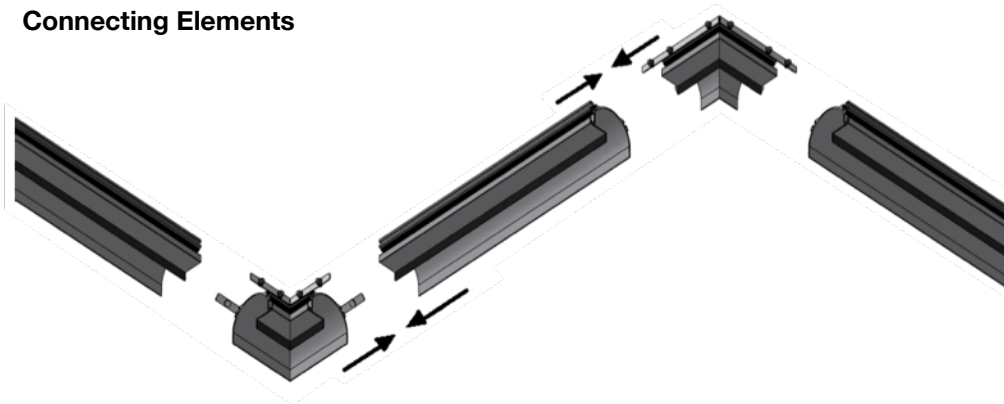


End caps RAXX90871



Box for driver
RAXX90871

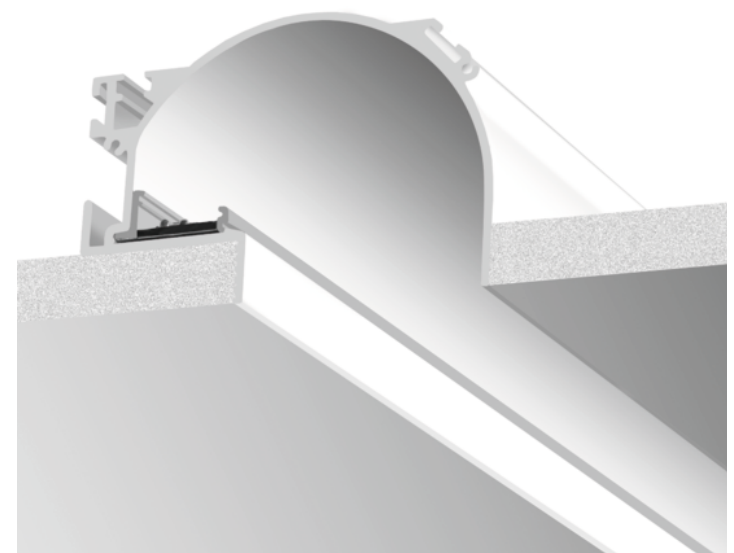
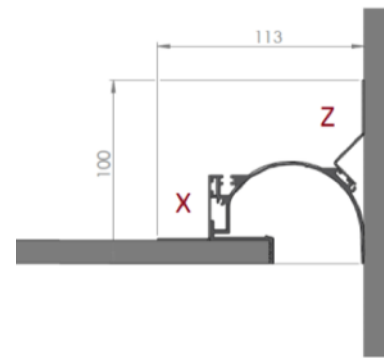
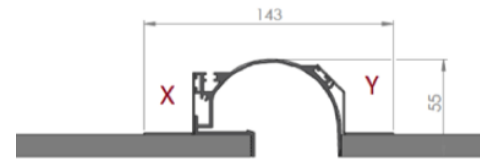
Connecting Elements



RAXX90843	internal vertical
RAXX90843	internal horizontal
RAXX90843	external vertical
RAXX90843	external horizontal

Installation

Installation option into plaster-cardboard ceiling or into the wall.





LED PROFILES

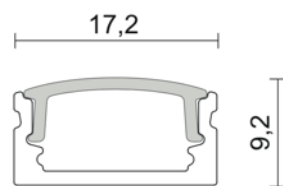
Profiles made of extruded anodized aluminum alloy, ideal for LED strip mounting.

Covers in high resistant polycarbonate: opal or clear

Profile is designed for a specific application: **Surface, Recessed and Corner** in standard 2 meter length.

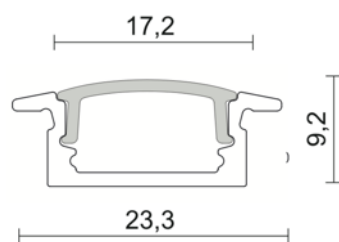
Accessories: closing caps and mounting clips.

SURFACE PROFILE 38



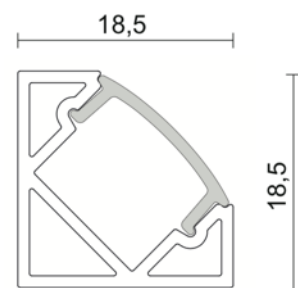
CODE	PROFILE COLOR	COVER COLOR
K7382-S04-4262	Anodized	Opal
K7382-S04-4247	Anodized	Semi Clear
K7382-S04-3162	White	Opal

RECESSED PROFILE 39



CODE	PROFILE COLOR	COVER COLOR
K7392-R04-4262	Anodized	Opal
K7392-R04-4247	Anodized	Semi Clear
K7392-R04-3162	White	Opal

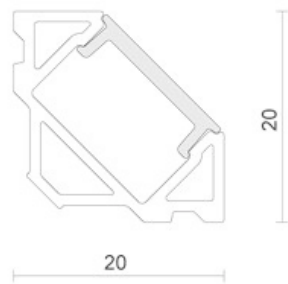
CORNER PROFILE 40



CODE	PROFILE COLOR	COVER COLOR
K7402-C04-4262	Anodized	Opal
K7402-C04-424	Anodized	Semi Clear
K7402-C04-3162	White	Opal

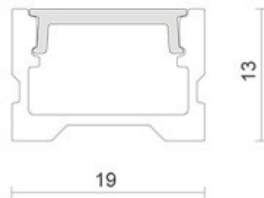


CORNER PROFILE 41



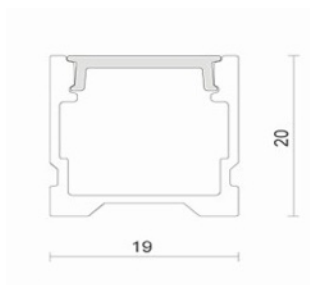
CODE	PROFILE COLOR	COVER COLOR
K7412-04-3162	White	Opal
K7412-04-4262	Anodized	Opal

SURFACE LOW PROFILE 42



CODE	PROFILE COLOR	COVER COLOR
K7422-04-3162	White	Opal
K7422-04-4262	Anodized	Opal

SURFACE PROFILE 43



CODE	PROFILE COLOR	COVER COLOR
K7432-04-3162	White	Opal
K7432-04-4262	Anodized	Opal

DOWNLIGHTS



For more information :
info@ralum.biz | www.ralum.lighting

Ralum 
BECAUSE LIGHTING MATTERS



RA 8

Robust and durable downlight series using latest high efficacy LED light sources. Low luminance and glare levels for excellent visual comfort. The fittings can be supplied with interchangeable optics for a wide range of light beams to allow a direct and well-controlled illumination of both small and large surface. Easily installed in false ceilings from 1 to 30 mm, ideal for illumination in applications such as accommodation or entertainment facilities, retail, shopping centers, and residential spaces.



RA 8 DIXIT LED

Power Supply : 220V - 240V

UGR: < 15 / <19

IP rating : IP 44 / IP 65

Angle Beam : 26°

Materials: **Body and bezel** in die-cast aluminum, polyester painted.

Professional optic devices in thermoplastic material, mirror metallized.

Closing screen in clear polycarbonate

Optics Types

- **Fixed Optic**
Designed to supply a uniform light
- **Adjustable Optic**
Adjustable optic allows control of the direction of the luminous flux, to highlight objects or display elements by means of an effective accent lighting.
- **Trimless / Soft Finish**
Characterized by a finish flush with the ceiling. This is the perfect choice to show the light in a softer way, smoothly integrated in the environment. Ideal for demanding interiors with design oriented ceilings.



Replaceable Optical Accessories



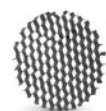
Professional optic device M



Professional optic device W

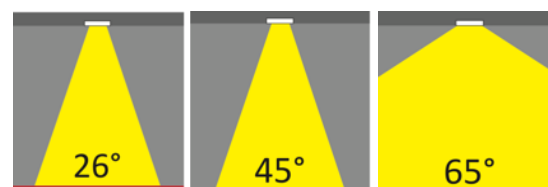


Professional optic device XW



Honeycomb

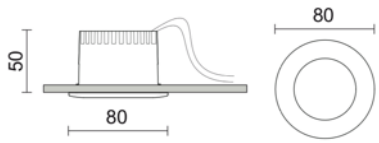
The whole range is supplied with professional optic devices in thermoplastic material, mirror-metallized, ensuring a high definition quality of the light beam with excellent stability of the luminous flux over time. A variety of optic devices offer various beam angles and effects.





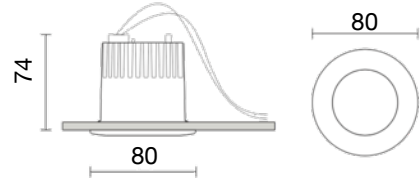
RA 8 DIXIT LED

RA 8 L DIXIT LED



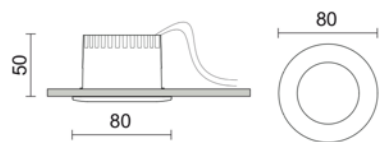
	CODE	COLOR TEMPERATURE	POWER	LED LUMEN
RA 8 L DIXIT	238-239BN	3000 K	5,5 W	550 lm
			8,5 W	700 lm
	238-239AN	4000 K	5,5 W	650 lm
			8,5 W	800 lm
RA 8 DIXIT	238-250BN	3000 K	9 W	1250 lm
			12 W	1650 lm
	238-250AN	4000 K	9 W	1300 lm
			12 W	1700 lm

RA 8 DIXIT LED



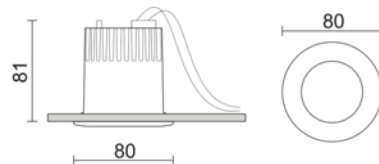
RA 8 DIXIT LED IP 65

RA 8 L DIXIT IP 65



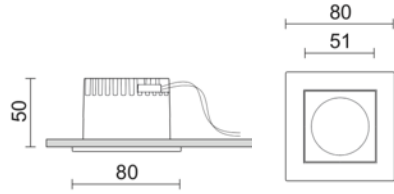
	CODE	COLOR TEMPERATURE	POWER	LED LUMEN
RA 8 L DIXIT IP 65	237-239BN	3000K	5,5 W	550 lm
			8,5 W	700 lm
RA 8 DIXIT IP 65	237-250BN	3000K	9 W	1250 lm
			12 W	1650 lm

RA 8 DIXIT IP 65

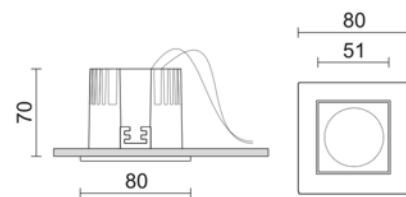


RA 8 Q DIXIT LED

RA 8 L Q DIXIT



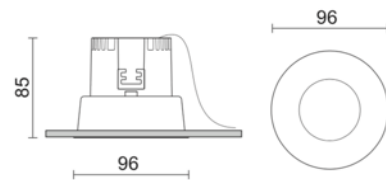
RA 8 Q DIXIT



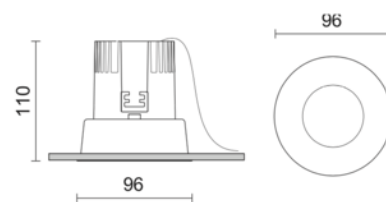
	CODE	COLOR TEMPERATURE	POWER	LED LUMEN
RA 8 L Q DIXIT	233-239BN	3000K	5,5 W	550 lm
			8,5 W	700 lm
	233-239AN	4000K	5,5 W	650 lm
			8,5 W	800 lm
RA 8 DIXIT IP 65	237-250BN	3000K	9 W	1250 lm
			12 W	1650 lm
	237-250BN	4000K	9 W	1300 lm
			12 W	1700 lm

RA 8 TL DIXIT LED

RA 8 L TL DIXIT



RA 8 TL DIXIT



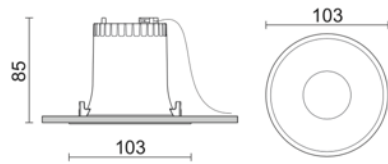
	CODE	COLOR TEMPERATURE	POWER	LED LUMEN
RA 8 L TL DIXIT	234-239BN	3000K	5,5 W	550 lm
			8,5 W	700 lm
RA 8 TL DIXIT	234-259BN	3000K	9 W	1050 lm
			12 W	1400 lm





RA 8 SOFT DIXIT LED

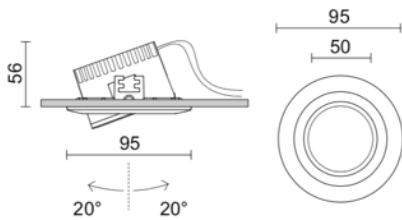
RA 8 SOFT DIXIT



	CODE	COLOR TEMPERATURE	POWER	LED LUMEN
RA 8 SOFT DIXIT	238-039BN	3000K	9 W	1050 lm
			12 W	1400 lm

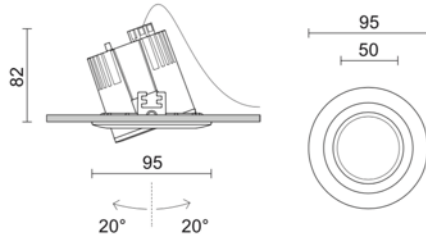
RA 8 DIXIT LED ADJUSTABLE

RA 8 L DIXIT ADJUSTABLE

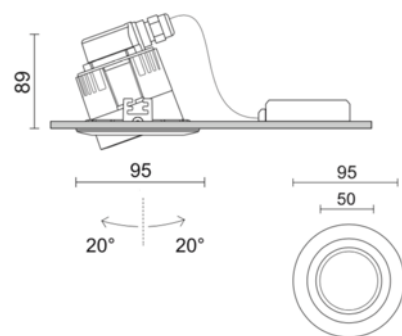


	CODE	COLOR TEMPERATURE	POWER	LED LUMEN
RA 8 L DIXIT ADJUSTABLE	239-239BN	3000K	5,5 W	550 lm
			8,5 W	700 lm
	239-239AN	4000K	5,5 W	650 lm
			8,5 W	800 lm
RA 8 DIXIT ADJUSTABLE	237-250BN	3000K	9 W	1250 lm
			12 W	1650 lm
	237-250BN	4000K	9 W	1300 lm
			12 W	1700 lm

RA 8 DIXIT ADJUSTABLE



RA 8 DIXIT LED ADJUSTABLE IP 65



	CODE	COLOR TEMPERATURE	POWER	LED LUMEN
RA 8 DIXIT ADJUSTABLE	235-250B	3000K	12 W	1650 lm



RA 11

These downlights, with COB LEDs of last generation, have been developed to meet a wide range of requirements in lighting design, focusing on key-applications such as retail, shopping centers and offices. Associated to low luminance and low glare levels, for an excellent visual comfort.



RA 11 DIXIT LED

Power Supply : 220V - 240V

Color Rendering Index: 85, 90

UGR : < 19

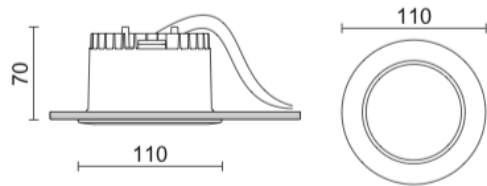
IP rating : IP 43

Beam Angle: 55°

Materials: **Body and bezel** in die-cast aluminum, polyester painted.

Professional optic devices in thermoplastic material, mirror metallized.

Closing screen in clear polycarbonate.



CODE	COLOR TEMPERATURE	POWER	LED LUMEN	CRI
255-200BN	3000 K	12 W	1700 lm	85
		18 W	2350 lm	
		21 W	2750 lm	
255-200AN	4000 K	12 W	1800 lm	90
		18 W	2450 lm	
		21 W	2900 lm	



Professional optic device S



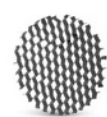
Professional optic device M



Professional optic device W



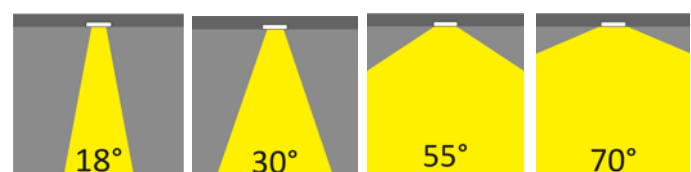
Professional optic device XW



Honeycomb

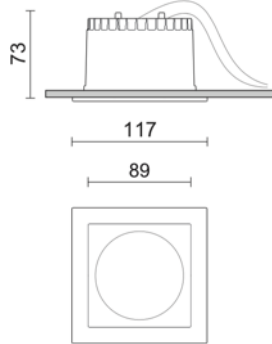
Replaceable Optical Accessories

The whole range is supplied with professional optic devices in thermoplastic material, mirror-metallized, ensuring a high definition quality of the light beam with excellent stability of the luminous flux over time. A variety of optic devices offer various beam angles and effects.



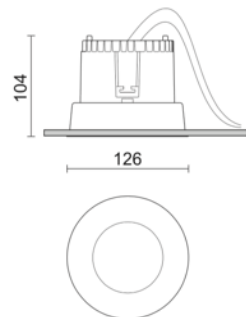


RA 11 Q DIXIT



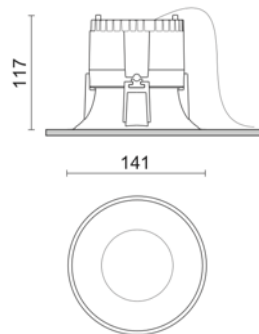
CODE	POWER	LED LUMEN	PRODUCT LUMEN	COLOR TEMP (K)	CRI
259-200BN	12 W	1700 lm	1513 lm	3000	85
	18 W	2350 lm	2092 lm		
	26 W	3100 lm	2759 lm		
259-200AN	12 W	1800 lm	1602 lm	4000	85
	18 W	2450 lm	2100 lm		
	26 W	3200 lm	2848 lm		

RA 11 TL DIXIT



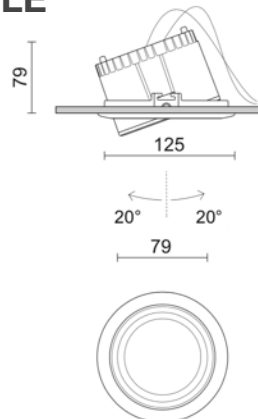
CODE	POWER	LED LUMEN	PRODUCT LUMEN	COLOR TEMP (K)	CRI
257-200BN	12 W	1700 lm	1513 lm	3000	85
	18 W	2350 lm	2092 lm		
	26 W	2750 lm	2448 lm		
257-209BN	12 W	1500 lm	1335 lm	3000	90
	18 W	2000 lm	1780 lm		
	26 W	2600 lm	2136 lm		

RA 11 SOFT DIXIT



CODE	POWER	LED LUMEN	PRODUCT LUMEN	COLOR TEMP (K)	CRI
258-200BN	12 W	1700 lm	1513 lm	3000	85
	18 W	2350 lm	2092 lm		
	26 W	3100 lm	2759 lm		
258-209BN	12 W	1500 lm	1335 lm	3000	90
	18 W	2000 lm	1780 lm		
	26 W	2600 lm	2314 lm		

RA 11 DIXIT ADJUSTABLE



CODE	POWER	LED LUMEN	PRODUCT LUMEN	COLOR TEMP (K)	CRI
256-200BN	12 W	1700 lm	1513 lm	3000	85
	18 W	2350 lm	2092 lm		
	21 W	2750 lm	2448 lm		
256-200AN	12 W	1800 lm	1602 lm	4000	85
	18 W	2450 lm	2180 lm		
	21 W	2900 lm	2581 lm		



Top / Right
Indonesia **EximBank**
Jakarta





RA 14

Fixed downlight using the last generation of COB LEDs featuring a fixture design that emphasizes durability and an easy installation process. The tempered protection safety glass is also available in full or partial sandblasted finish on request. This versatile IP44 rated downlight is suitable for applications in hotels, retail, banks, offices, shopping centers and more. Over the many years since its market introduction, RA14 series became a favored choice for our clients requiring durable and reliable lighting performance with state of the art technology.

RA 14 DIXIT LED



Power Supply : 220V - 240V

Life (L80, B10) : 50.000h

Color Rendering Index : 85, 90

IP rating : IP 44

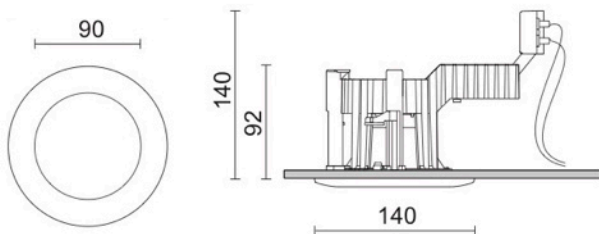
Luminaire Efficiency : 86%

Angle Beam : 60°

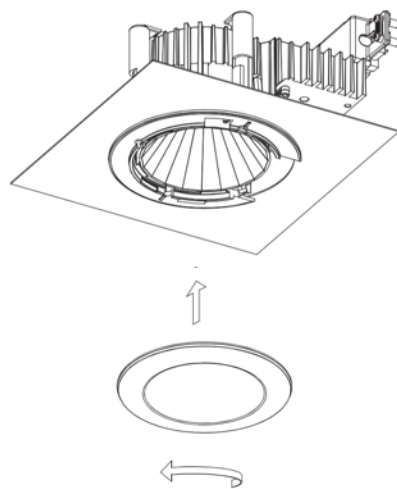
Materials : **Body and ring** in die-cast aluminum, polyester painted. Fast installation pre-load spring mechanism.

Professional optic devices in thermoplastic material, mirror metallized.

Closing screen in 4mm tempered safety glass. Sandblasted glass on request (full/ half frosted)



	POWER	LED LUMEN	COLOR TEMPERATURE	CRI
243-250BN	26 W	3400 lm	3000 K	85
	33 W	4250 lm		
	38 W	4900 lm		
243-250AN	26 W	3500 lm	4000 K	85
	33 W	4400 lm		
	38 W	5000 lm		
243-259BN	26 W	2850 lm	3000 K	90
	33 W	3500 lm		
	38 W	4000 lm		
243-25E2 with 3h emergency (on demand)	38 W	3400 lm	3000 K	85



Accessories



Square frame with clear glass 140x140mm



Sand blasted glass



Top
CitiGold, Jakarta



Bottom
Maybank, Jakarta





RA 16

A ceiling downlight for diffused lighting, designed with the last generation of COB LED sources. Characterized by an extremely reduced recessed depth, the fixture can be installed easily with side springs into false ceilings from 1 to 30 mm, also with staves. Despite the reduced recessed depth, the RA 16 optics ensure a high lighting efficiency with a remarkable grade of uniformity, ideal for general lighting in shops, offices and corridors.

IP44 rated fixture suitable for use in bathrooms, kitchens etc.



RA 16 LED

Power Supply : 220V - 240V

Life (L80, B10) : 50.000h

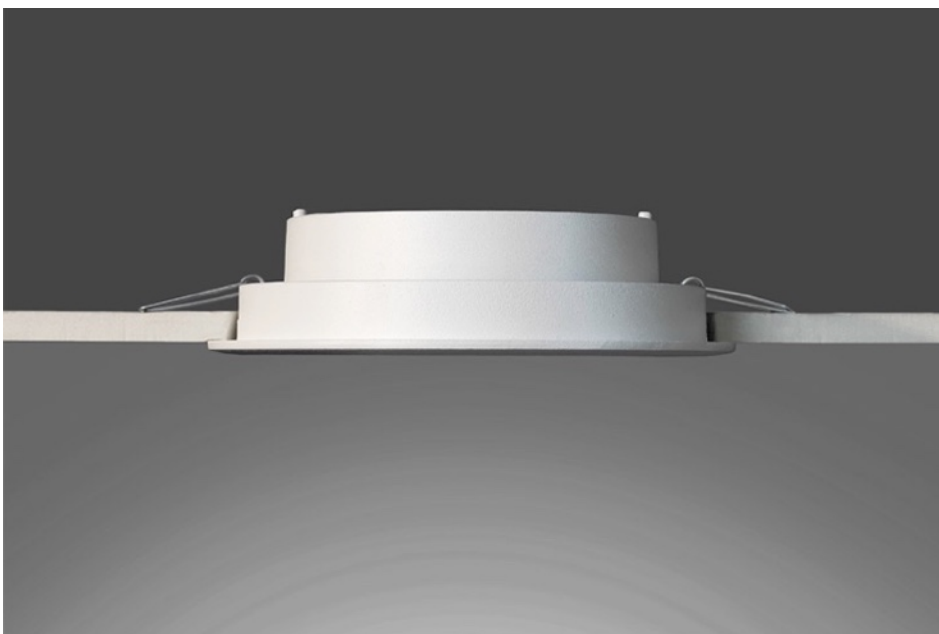
Color Rendering Index : 85

IP rating : IP 44

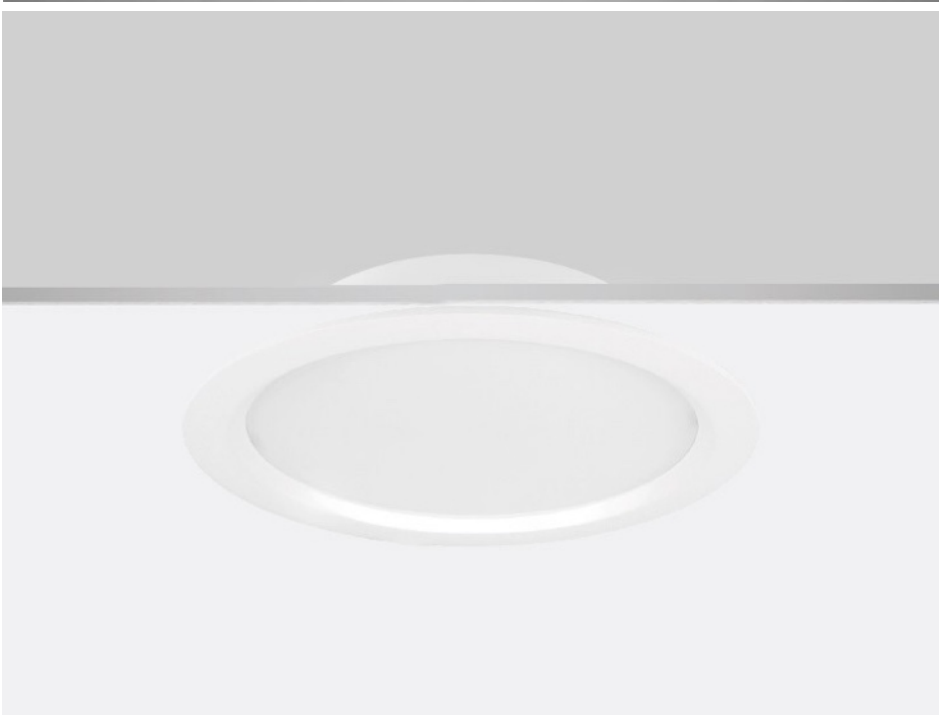
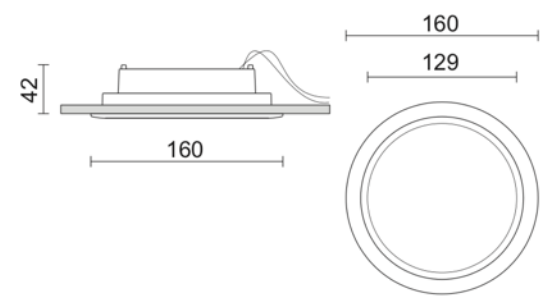
Luminaire Efficiency : 86%

Angle Beam : 110°

Materials : **Body and ring** in die-cast aluminum, polyester painted. **Closing screen** in opal polycarbonate with high performance light-diffusion.



Dimension



Right
Indonesia **EximBank**
Jakarta



Material

The body, in die-cast aluminum, has been designed to facilitate excellent passive dissipation of the heat generated by the light source ensuring a long service life.

Available Variants

CODE	POWER	LED LUMEN	COLOR TEMPERATURE	CRI
RA250-200BN.50	18 W	2400 lm	3000 K	85
RA250-200AN.50	18 W	2450 lm	4000 K	85

CODE	POWER	LED LUMEN	COLOR TEMPERATURE	CRI
RA250-200BN.35	12 W	1500 lm	3000 K	85
RA250-200AN.35	12 W	1500 lm	4000 K	85





PERFETTO-IN

A professional downlight with fixed optic, able to provide high luminous performance. The rearward optic and integrated snoot improve visual comfort considerably, making it the ideal luminaire for illumination in residential, hospitality and demanding retail applications. PERFETTO-IN integrates in spaces in a soft and elegant way: Its very thin trim allows an almost invisible installation in the false ceiling.



PERFETTO-IN

Power Supply : 220V - 240V

Life (L80, B10) : 50.000h

Color Rendering Index : >90

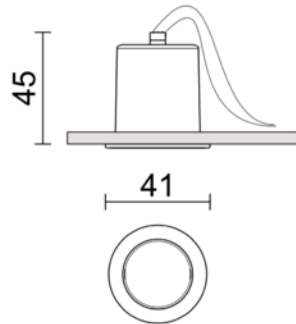
IP rating : IP 43

Luminaire Efficiency : 86%

Materials : **Body** in die-cast aluminum, polyester painted.

PERFETTO-IN 40 with lens

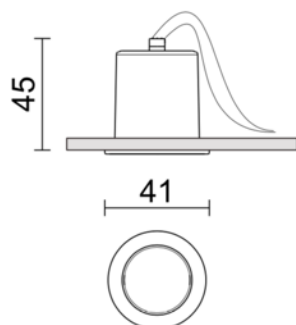
Fixed downlight with lens and prismatic spread lens.



CODE	POWER	LED LUMEN	COLOR TEMPERATURE	CRI	Angle Beam [°]
254-219BN	2 W	150 lm	3000 K	90	14
	3 W	200 lm			
254-219CN	2 W	130 lm	2700 K	90	14
	3 W	180 lm			

PERFETTO-IN 40

Fixed downlight with prismatic spread lens.



CODE	POWER	LED LUMEN	COLOR TEMPERATURE	CRI	Angle Beam [°]
254-219BN	4,5 W	500 lm	3000 K	90	60
254-219CN	4,5 W	470 lm	2700 K	90	60

Optical Accessories



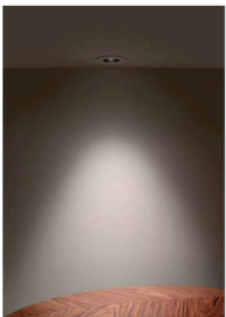
Satined gold snout



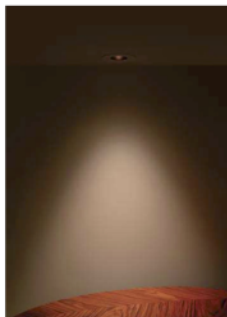
White snout



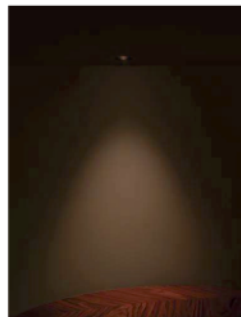
Dimming 100%
- 2700K



Dimming 50%
- 2200K



Dimming 10%
- 1800K



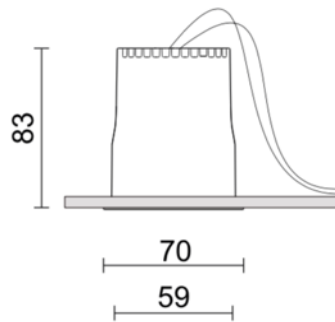
Dim to Warm technology allows to manage the color temperature along the luminous intensity, providing smooth variations of warm light tones (from 2700K to 1800K). This resembles the characteristics of an incandescent light source.

So here you have back the beloved warm glow of a dimmed incandescent bulb - yet still with the efficacy and long life of a modern LED light source. Perfect for that cozy feeling at home or at restaurants, lounges and bars.

At the late hours of the day, the warmer color temperature along with lowered light levels help to maintain a healthy circadian rhythm - an easy yet big step towards biocentric lighting at home!

Read more on healthy lighting at www.biocentric.lighting

PERFETTO-IN 70



Perfetto-IN 70 fits into spaces in a soft and an elegant way: Its very thin trim allows an almost invisible installation into the false ceiling.

Available Variants

CODE	POWER	LED LUMEN	COLOR TEMPERATURE	CRI	ANGLE BEAM [°]
262-039BN	6 W	800 lm	3000 K	90	38
	9 W	1090 lm			
	12 W	1470 lm			
262-039CN	6 W	770 lm	2700 K	90	38
	9 W	1050 lm			
	12 W	1430 lm			
262-049BN	12 W	1130 lm	Dim to Warm 1800 - 2700 K	90	38

Replaceable Optical Accessories



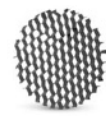
Professional optic device S



Professional optic device M



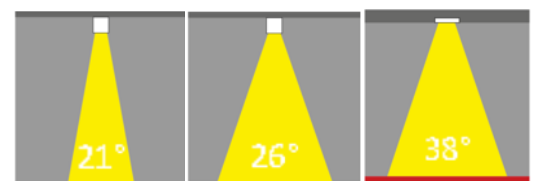
Professional optic device W



Honeycomb



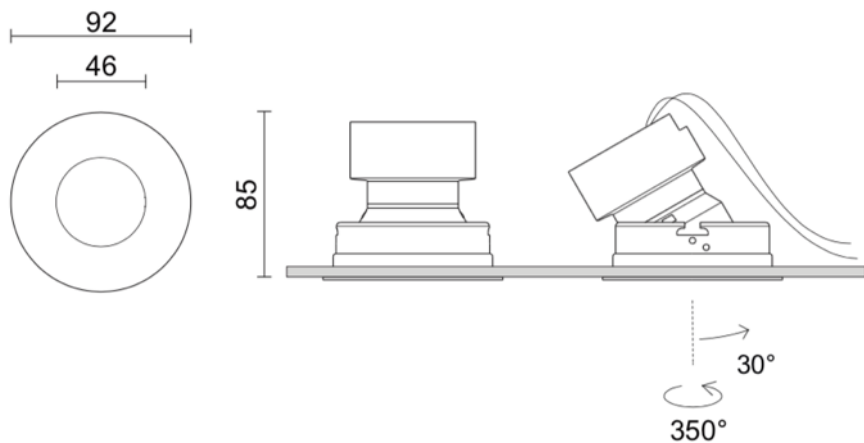
Prismatic spread lens



Satined gold snoot



White snoot



PERFETTO-IN 90

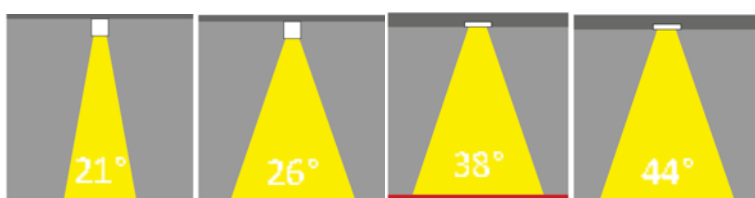
PERFETTO-IN 90 is a tiltable and adjustable indoor recessed downlight, equipped with the latest generation of COB LEDs.

It is available in different color temperatures and replaceable optical accessories, allowing both accent and diffused illumination.

It rotates up to 350° and it tilts up to 30° allowing a precise orientation of the beam; the tiltable part remains concealed in the false ceiling.

CODE	POWER	LED LUMEN	COLOR TEMPERATURE	CRI	ANGLE BEAM [°]
263-039BN	6 W	800 lm	3000 K	90	38
	9 W	1090 lm			
	12 W	1470 lm			
	18 W	1917 lm			
263-039CN	6 W	770 lm	2700 K	90	38
	9 W	1050 lm			
	12 W	1430 lm			
	18 W	1850 lm			
263-049BN	12 W	1130 lm	Dim to Warm 1800 - 2700 K	90	38

Replaceable Optical Accessories



Professional optic device S



Honeycomb



Professional optic device M



Prismatic spread lens



Professional optic device W



Closing screen in clear thermoplastic material



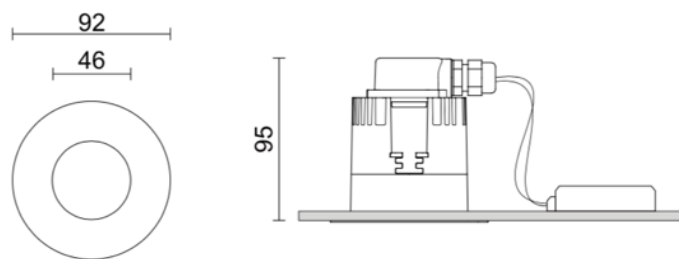
Professional optic device XW



Frosted glass

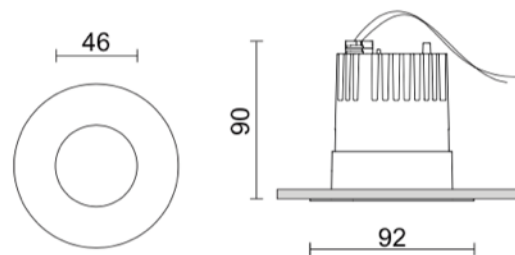


PERFETTO-IN 90 IP 66



CODE	POWER	LED LUMEN	COLOR TEMPERATURE	CRI	ANGLE BEAM [°]
264-250	12 W	1470 lm	3000 K	90	26

PERFETTO-IN 90 IP 66/20



CODE	POWER	LED LUMEN	COLOR TEMPERATURE	CRI	ANGLE BEAM [°]
265-250BN	6 W	800 lm	3000 K	90	26
	9 W	1090 lm			
	12 W	1470 lm			



0147L

Adjustable recessed LED downlight aimed at the professional fit-out sector. Suitable for commercial and domestic spaces or corporate headquarters seeking attributes such as enhanced total-cost-of-ownership, small size lights, durability and a well defined light beam throughout service life.



0147 L

Power Supply : 220V - 240V

Lifetime: 35.000h

Color Rendering Index : 80

IP rating : IP 44 / IP20

Luminaire Efficiency : 64,6%

Materials : **Body** in die-cast aluminum in white or black painted.

Reflector from high purity aluminum.

Dimming Options : DALI, 1-10V, Phase Cut

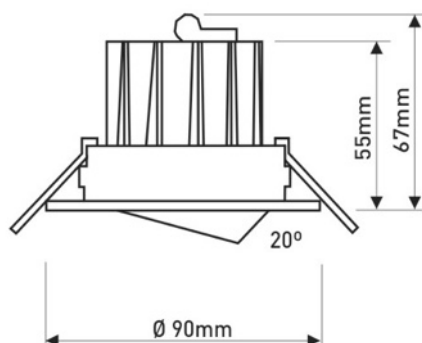
Rotation

Ball joint system which allows tilting 20°



Color

Available in 2 colors :
white and black



CODE	POWER	LED LUMEN	COLOR TEMPERATURE	CRI	ANGLE BEAM [°]
0147L/8320	7 W	650 lm	3000 K	80	20
0147L/8340	7 W	650 lm	3000 K	80	40
0147L/8420	7 W	700 lm	4000 K	80	20
0147L/8440	7 W	700 lm	4000 K	80	40



Top
Georg Jensen Flagship Store
Australia



BERYL O

Efficient lighting with visual comfort for general lighting applications. BERYL O provides a stable color temperature over service life through an innovative passive thermal balance system. It is an efficient and economic solution for the ambient lighting layer at offices, malls, hospitals' commercial areas as well as residential spaces.



BERYL-O

Power Supply : 220V - 240V

Lifetime: 50.000h

Color Rendering Index : 80

Beam Angle : 80

IP rating : IP 54 / IP20

Materials : **Body** built in die-cast aluminum with matte polycarbonate frontal diffuser finished in white. **Diffuser** in opal polycarbonate.

Dimming Options : DALI, 1-10V



	CODE	POWER	LED LUMEN	COLOR TEMPERATURE	CRI
	11.1546.3108.33	8 W	1000 lm	3000 K	80
	11.1546.4108.33	8 W	1000 lm	4000 K	80
	11.1546.3158.33	12 W	1500 lm	3000 K	80
	11.1546.4158.33	12 W	1500 lm	4000 K	80
	11.1546.3248.33	21 W	3000 lm	3000 K	80
	11.1546.4248.33	21 W	3000 lm	4000 K	80
	11.1546.3258.33	22 W	3100 lm	3000 K	80
	11.1546.4258.33	22 W	3100 lm	4000 K	80
	11.1546.3358.33	30 W	4500 lm	3000 K	80
	11.1546.4358.33	30 W	4500 lm	4000 K	80
	11.1546.3428.33	38 W	5100 lm	3000 K	80
	11.1546.4428.33	38 W	5100 lm	4000 K	80



Top
UBER Office
Jakarta



PINHOLE

Small format fixed or orientable downlights with an innovative passive thermal balance system providing stable color temperature over service life. Versatile system with magnetic clip-on trims in various shapes and openings. Suitable for accent lighting layers in hotels, residences, offices or commercial areas where small format fixtures are required



PINHOLE

Power Supply : 220V - 240V

Lifetime: 50.000h

Color Rendering Index : > 80

IP rating : IP 54 / IP20

Materials :

Body built plastic body and aluminum heat sink.

Reflector made of high-quality aluminum.

Dimming Options : DALI

Available Variants

Option of Fixed and Adjustable version

Available in two power options 10 W and 15 W

Angle beam options of 15°, 24° and 40°

	CODE	POWER	LED LUMEN	COLOR TEMPERATURE	BEAM ANGLE [°]
	11.1547.0301.33	10 W	700 lm	3000 K	15, 24, 40
	11.1547.0401.33	10 W	700 lm	4000 K	15, 24, 40
	11.1547.5301.33	15 W	1300 lm	3000 K	15, 24, 40
	11.1547.5401.33	15 W	1300 lm	3000 K	15, 24, 40
	11.1547.0301.33	10 W	700 lm	3000 K	15, 24, 40
	11.1547.0401.33	10 W	700 lm	4000 K	15, 24, 40
	11.1547.0301.33	10 W	700 lm	3000 K	15, 24, 40
	11.1547.0401.33	10 W	700 lm	4000 K	15, 24, 40

Decorative Trims

The front elements are attached by a magnetic clip-on mechanism and can be easily changed. Available in black or white color.



Fixed
10W : 11.1547.0001
15W : 11.1547.5001



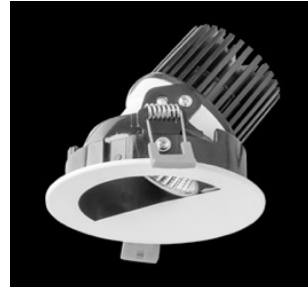
Fixed / Orientable
10W : 11.1547.0002
15W : 11.1547.5002



Orientable
10W : 11.1547.0003
15W : 11.1547.5003



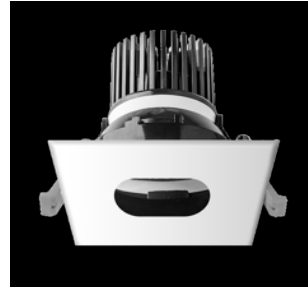
Fixed / Orientable
10W : 11.1547.0004
15W : 11.1547.5004



Fixed / Orientable
10W : 11.1547.0005
15W : 11.1547.5005



**Fixed / Orientable
Square**
10W : 11.1547.0006
15W : 11.1547.5006



**Fixed / Orientable
Square**
10W : 11.1547.0007
15W : 11.1547.5007

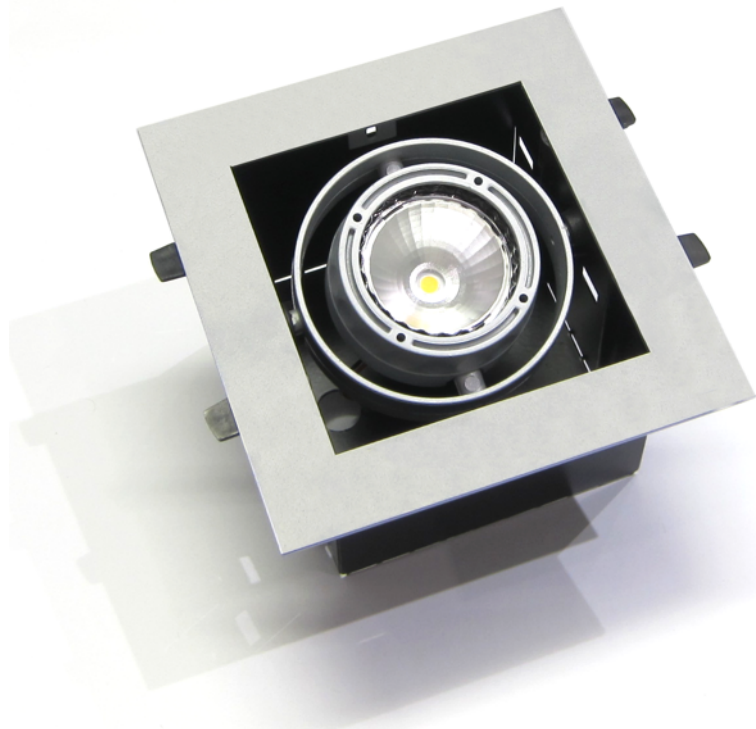
Bottom
Huawei Office
Jakarta





KARDAN 50 A multi-directional lighting system for the last generation of COB LED engines. Its modular system design with easy-to-swap LED engines makes it versatile to adopt to specific lighting design requirements and even allows user upgrades for an extended service life. Housing and cardanic-tilt mechanism are outstandingly robust and solid.

Manufactured to perfection in Europe, this remarkable fixture has achieved an amazing track record of realized projects and surely looks up to a bright future ahead. Ralum's ongoing upgrades to latest technology engines and drivers ensures KARDAN 50 remains a BAT (Best Available Technology) product. Ideal for display areas and wherever accent lighting is required, such as shop windows, museums and art galleries. Its clean and essential design makes it suitable for any type of interior.



KARDAN 50

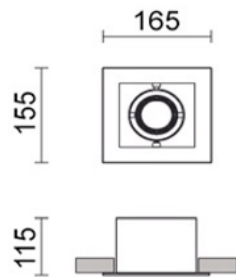
Power supply: 220 V - 240 V

Life (L90, B20): > 50.000h

Materials: **Body** in die-cast aluminum, polyester painted with 3 color options : black, white and silver. Professional **COB engine** with aluminum heat sink.

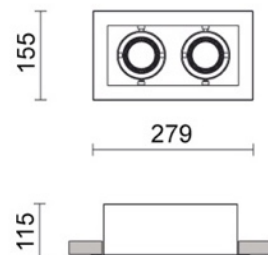
KARDAN 50 featuring one, two and three adjustable and independent light sources that allows for maximum flexibility (eg. WFL/SP blend in one housing).

KARDAN 50 - 1X



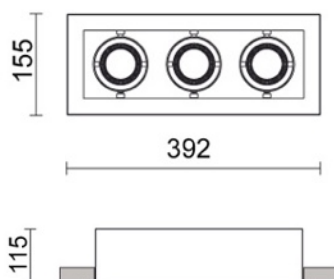
CODE	POWER	LUMEN	COLOR TEMP	BEAM ANGLE [°]
K50-1-827	7W	700 lm	2700	15, 24, 36
K50-1-830	7W	700 lm	3000	15, 24, 36
K50-1-840	7W	700 lm	4000	15, 24, 36

KARDAN 50 - 2X



CODE	POWER	LUMEN	COLOR TEMP	BEAM ANGLE [°]
K50-2-827	2 x 7W	2 x 700 lm	2700	15, 24, 36
K50-2-830	2 x 7W	2 x 700 lm	3000	15, 24, 36
K50-2-840	2 x 7W	2 x 700 lm	4000	15, 24, 36

KARDAN 50 - 3X



CODE	POWER	LUMEN	COLOR TEMP	BEAM ANGLE [°]
K50-3-827	3 x 7W	3 x 700 lm	2700	15, 24, 36
K50-3-830	3 x 7W	3 x 700 lm	3000	15, 24, 36
K50-3-840	3 x 7W	3 x 700 lm	4000	15, 24, 36

Right
Exim Bank Conference Room
Jakarta







Left
Garuda Lounge
Terminal 2 Airport Soekarno Hatta
Banten



Right
Cigna Office
Jakarta



KARDAN TL

A multi-directional lighting system for the last generation of COB LEDs. Ideal for display areas and wherever accent lighting is required, such as shop windows, museums and art galleries. Its clean and essential design makes it suitable for any type of interior.



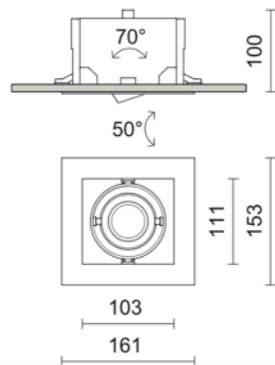
KARDAN TL

Power supply: 220 V - 240 V

Life (L80, B10): > 50.000h

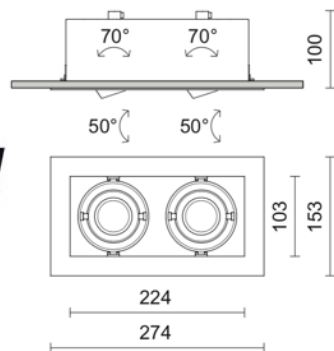
Materials: Body and gear box in die-cast aluminum, polyester painted. Professional **optics** in mirror metalized thermoplastic material

KARDAN TL - 1X



	POWER	LED LUMEN	COLOR TEMP (K)	CRI	BEAM ANGLE [°]
509-211BN	1x12 W	1x1700 lm	3000	85	30
	1x18 W	1x2400 lm			
509-211AN	1x12 W	1x1800 lm	4000	85	30
	1x18 W	1x2500 lm			

KARDAN TL - 2X



	POWER	LED LUMEN	COLOR TEMP (K)	CRI	BEAM ANGLE [°]
509-221BN	2x12 W	2x1700 lm	3000	85	30
	2x18 W	2x2400 lm			
509-221AN	2x12 W	2x1800 lm	4000	85	30
	2x18 W	2x2500 lm			

RaBook is published by

PT RALUM INDONESIA

Menteng Square Tower A #03-027

Jalan Matraman Raya No 30E

Jakarta Pusat 10320

Tel : +62 21 2961 4368

Email : info@ralum.biz

Website : www.ralum.biz

www.ralum.lighting

RaBookV2.0